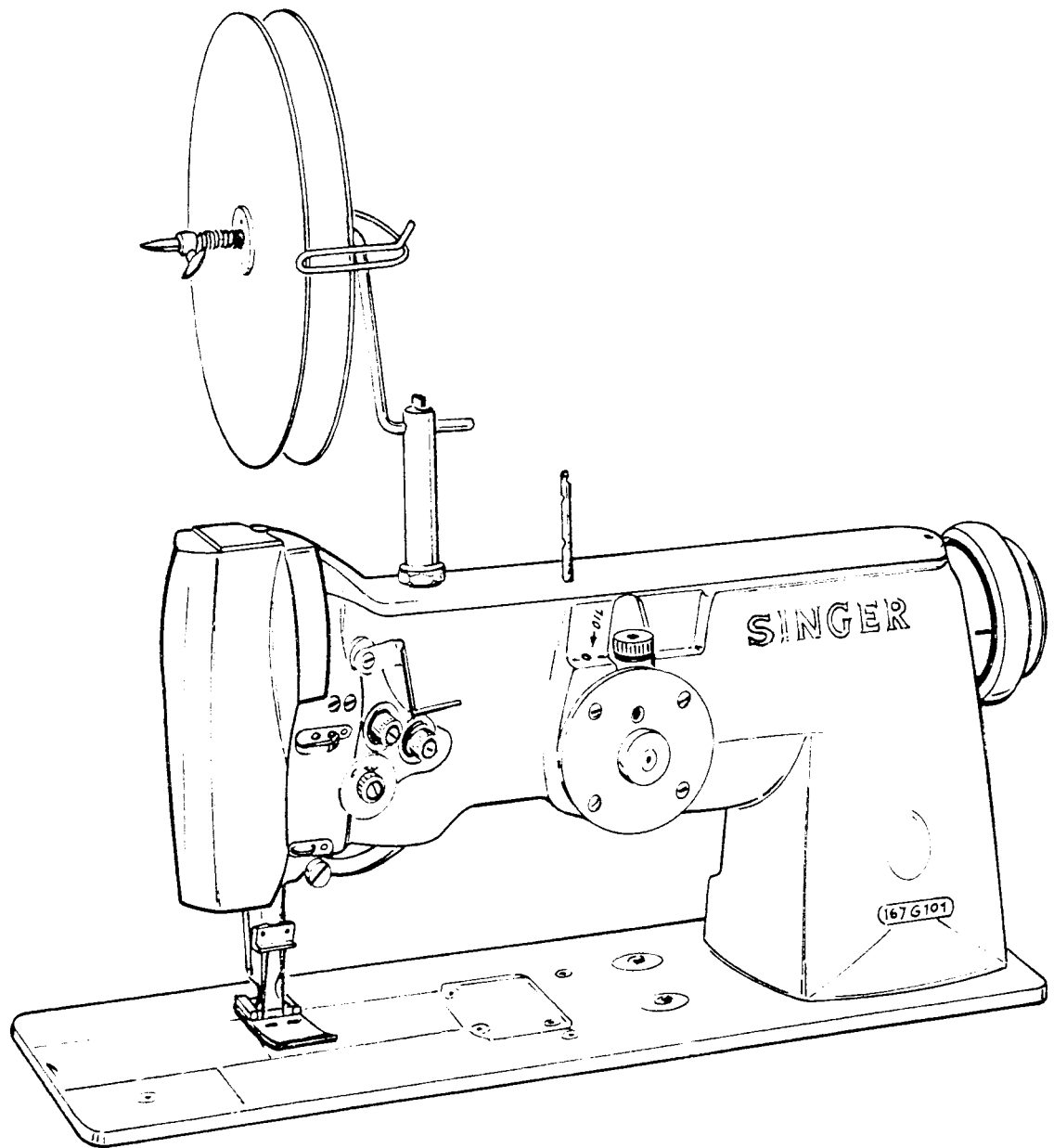


SINGER

167G101



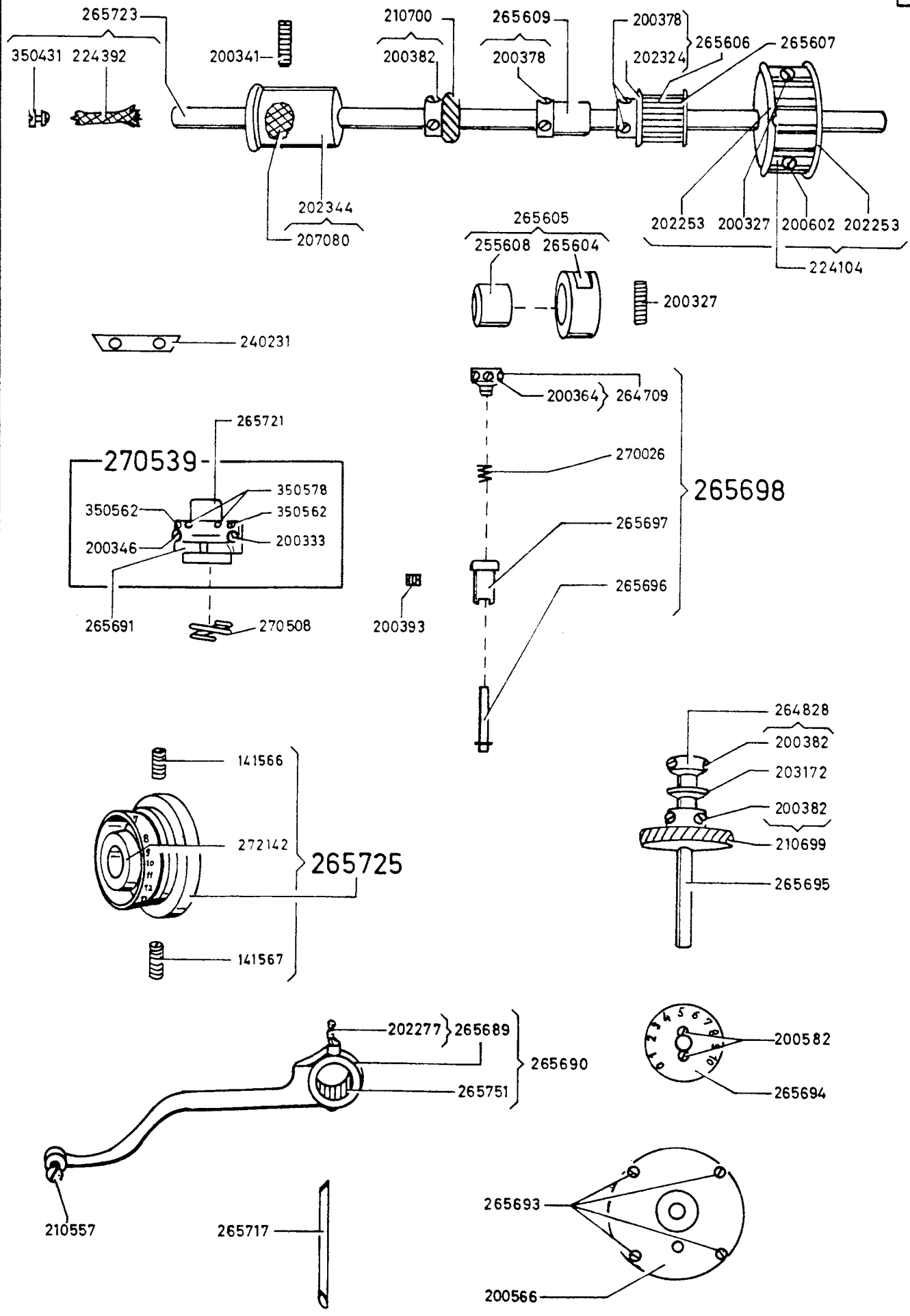
From the library of: Diamond Needle Corp

ILLUSTRATED PARTS LIST
FOR
SINGER MACHINE 167 G 101

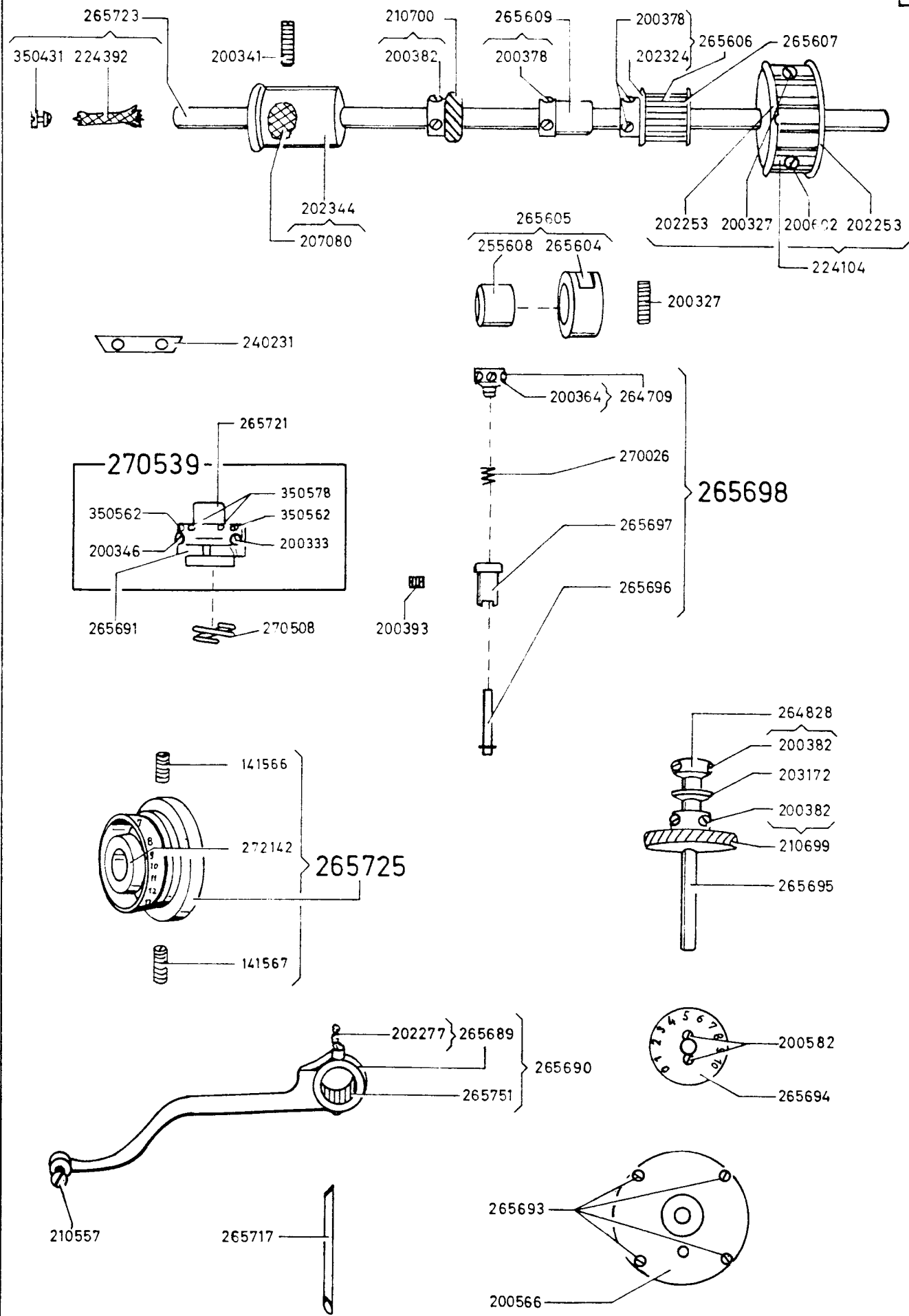
TWO NEEDLE ZIG ZAG LONG ARM
LOCK STITCH DROP FEED LINK TAKE-UP

FORM 30-340G
KARLSRUHE, IPD (ITD 1167)
WESTERN GERMANY

PART NO.	DESCRIPTION
141566-830	MACHINE PULLEY POSITION SCREW
141567-830	MACHINE PULLEY SET SCREW
200327-803	ARM SHAFT BUSHING (CENTER) SET SCREW
200327-803	ARM SHAFT CONNECTION BELT PULLEY (HOOK DRIVING) SET SCREW
200333-803	NEEDLE VIBRATING FLANGE POSITION SCREW
200341-803	ARM SHAFT BUSHING (FRONT) SET SCREW
200346-803	NEEDLE VIBRATING FLANGE SET SCREW
200364-830	NEEDLE VIBRATING REGULATING STUD CAP SET SCREW
200378-803	HOOK DRIVING SHAFT COUPLING (FRONT) SET SCREW
200382-803	FEED DRIVING ECCENTRIC DISC SPRING COLLAR POSITION SCREW (2)
200382-803	HOOK DRIVING GEAR SET SCREW (2)
200382-830	NEEDLE VIBRATING GEAR SHAFT COLLAR SET SCREW (2)
200393-803	NEEDLE VIBRATING REGULATING STUD SLEEVE SET SCREW
200566-804	NEEDLE VIBRATING ECCENTRIC COVER SCREW
200582-819	NEEDLE VIBRATING ECCENTRIC INDEXED PLATE SCREW
200602-803	ARM SHAFT CONNECTION BELT PULLEY (HOOK DRIVING) POSITION SCREW
202244	ARM SHAFT BUSHING (FRONT) OIL PACKING (WICK)
202253	ARM SHAFT CONNECTION BELT PULLEY (HOOK DRIVING) SPRING FLANGE
202277	NEEDLE BAR FRAME PITMAN OIL PACKING (WICK)
202324	ARM SHAFT CONNECTION BELT PULLEY (HOOK VIBRATING) SPRING FLANGE
203172	NEEDLE VIBRATING GEAR FRICTION WASHER
207080	ARM SHAFT BUSHING (FRONT) WITH 202244
210557	NEEDLE BAR FRAME PITMAN ECCENTRIC STUD
210699	NEEDLE VIBRATING GEAR (SPIRAL) WITH TWO 200382
210700	NEEDLE VIBRATING PINION (SPIRAL)
224104	ARM SHAFT CONNECTION BELT PULLEY (HOOK DRIVING) WITH 200327, 200602 AND TWO 202253
224392	ARM SHAFT OIL PACKING (WICK)
240231	NEEDLE VIBRATING ECCENTRIC FRICTION GIB
264709	NEEDLE VIBRATING REGULATING STUD CUP WITH 200364
264828	NEEDLE VIBRATING GEAR SHAFT COLLAR WITH TWO 200382
265604	ARM SHAFT BUSHING (CENTER)
265605	ARM SHAFT BUSHING 265604 WITH 265608
265606	ARM SHAFT CONNECTION BELT PULLEY (HOOK VIBRATING) WITH 202324 AND 200378
265607	ARM SHAFT CONNECTION BELT PULLEY (HOOK VIBRATING) FLANGE
265608	ARM SHAFT NEEDLE BEARING (CENTER)
265609	ARM SHAFT NEEDLE BEARING (CENTER) COLLAR WITH TWO 200378
265689	NEEDLE BAR FRAME PITMAN WITH 202277
265690	NEEDLE BAR FRAME PITMAN WITH 265689
265693	NEEDLE VIBRATING ECCENTRIC COVER PLATE
265694	NEEDLE VIBRATING ECCENTRIC INDEXED PLATE
265695	NEEDLE VIBRATING GEAR SHAFT

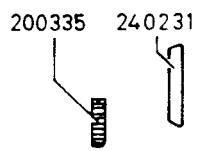
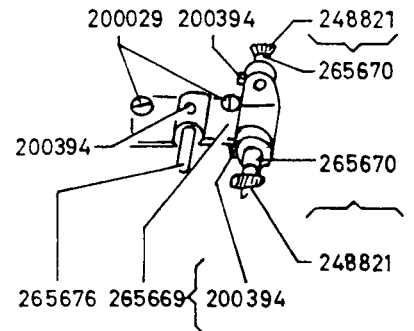
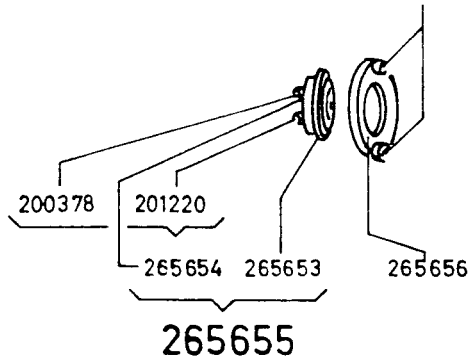
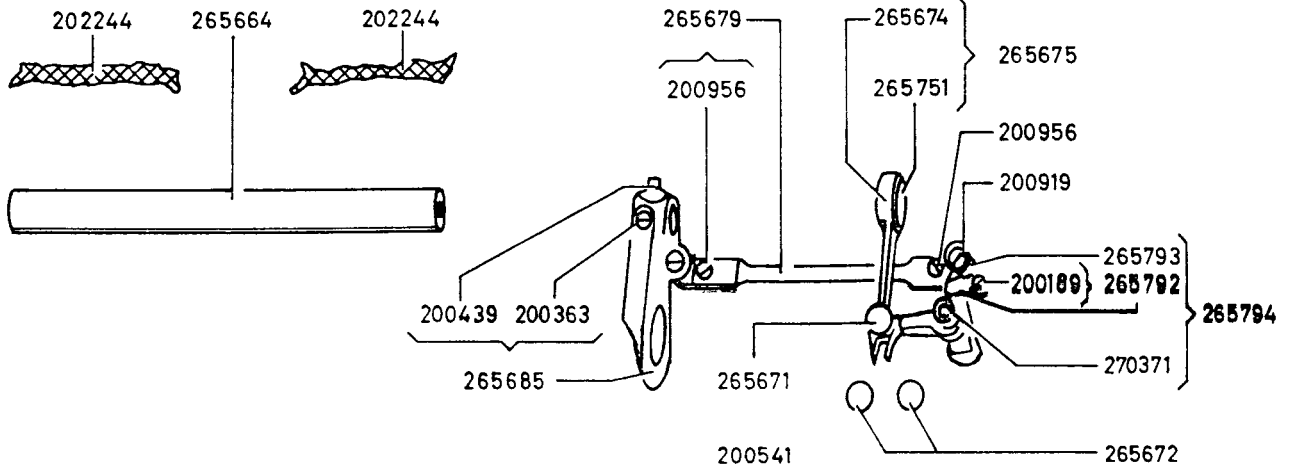


PART NO.	DESCRIPTION
265696	NEEDLE VIBRATING REGULATING STUD
265697	NEEDLE VIBRATING REGULATING STUD SLEEVE
265717	NEEDLE BAR FRAME PITMAN NEEDLE BEARING OIL TUBE (BRASS)
265721	FEED DRIVING ECCENTRIC
265723	ARM SHAFT WITH 224392 AND 350431
265725	MACHINE PULLEY WITH 141566 AND 141567
265751	NEEDLE BAR FRAME PITMAN NEEDLE BEARING
270026	NEEDLE VIBRATING REGULATING STUD SPRING
270508	NEEDLE VIBRATING ECCENTRIC ADJUSTING DISC SPRING
270539	NEEDLE VIBRATING FLANGE WITH 200333, 200346, TWO EACH 350562 AND 350578
272142	ARM SHAFT BALL BEARING (BACK) (DOUBLE SHIELDED BEARING)
350431-805	ARM SHAFT OIL PACKING STOP SCREW
350562-833	NEEDLE VIBRATING ECCENTRIC FRICTION GIB ADJUSTING SCREW SET SCREW
350578-833	NEEDLE VIBRATING ECCENTRIC FRICTION GIB ADJUSTING SCREW
265691	NEEDLE VIBRATING ECCENTRIC ADJUSTING DISC CPL.
265698	NEEDLE VIBRATING REGULATING STUD CPL. NOS. 264709, 265696, 265697 AND 270026

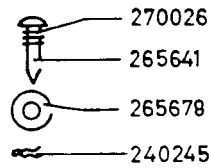


PART NO.	DESCRIPTION
054897	BED OIL CUP
200029-803	HOOK VIBRATING BELL CRANK BRACKET SCREW (2)
200070-803	CONNECTION BELT PULLEY SET SCREW
200189-803	HOOK VIBRATING BELL CRANK ADJUSTING SCREW
200333-803	HOOK VIBRATING FLANGE POSITION SCREW
200335-803	HOOK VIBRATING SHAFT BUSHING SET SCREW
200346-803	HOOK VIBRATING FLANGE SET SCREW
200354-803	HOOK VIBRATING ECCENTRIC CONNECTION STOP COLLAR POSITION SCREW
200362-830	HOOK VIBRATING ECCENTRIC CONNECTION STOP COLLAR SET SCREW
200363-830	HOOK VIBRATING YOKE SET SCREW
200378-803	HOOK DRIVING SHAFT (FRONT) BALL BEARING COLLAR SET SCREW
200382-833	HOOK VIBRATING ECCENTRIC ADJUSTING DISC SPRING COLLAR POSITION SCREW (2)
200382-833	HOOK VIBRATING SHAFT STOP COLLAR SET SCREW (2)
200394-803	HOOK VIBRATING ECCENTRIC GUIDE STUD SET SCREW
200394-803	HOOK VIBRATING BELL CRANK HINGE STUD SET STUD (2)
200439-803	HOOK VIBRATING YOKE POSITION SCREW
200541-805	HOOK DRIVING SHAFT (FRONT) BALL BEARING RETAINING PLATE SCREW
200919-803	HOOK VIBRATING PITMAN HINGE SCREW
200956-819	HOOK VIBRATING PITMAN HINGE SCREW PINCH SCREW
201220-833	HOOK DRIVING SHAFT (FRONT) BALL BEARING COLLAR POSITION SCREW
202244	ARM SHAFT BUSHING (FRONT) OIL PACKING (WICK) (2)
202253	HOOK DRIVING SHAFT CONNECTION BELT PULLEY SPRING FLANGE
240231	HOOK VIBRATING ECCENTRIC GIB
240245	HOOK VIBRATING REGULATING STUD RETAINING SPRING
248416	HOOK VIBRATING ECCENTRIC ADJUSTING DISC SPRING COLLAR WITH TWO 200382
248821	HOOK VIBRATING BELL CRANK HINGE STUD OIL PACKING (WICK)
265641	HOOK VIBRATING ECCENTRIC REGULATING STUD
265653	HOOK DRIVING SHAFT (FRONT) BALL BEARING
265654	HOOK DRIVING SHAFT (FRONT) BALL BEARING COLLAR WITH 200378 AND 201220
265655	HOOK DRIVING SHAFT (FRONT) BALL BEARING COLLAR 265654 WITH 265653
265656	HOOK DRIVING SHAFT (FRONT) BALL BEARING RETAINING PLATE
265664	HOOK SADDLE SHAFT (HOLLOW)
265669	HOOK VIBRATING BELL CRANK BRACKET WITH THREE 200394
265670	HOOK VIBRATING BELL CRANK HINGE STUD WITH 248821
265671	HOOK VIBRATING BELL CRANK SWIVEL
265672	HOOK VIBRATING BELL CRANK SWIVEL RETAINER (2)
265673	HOOK VIBRATING ECCENTRIC ADJUSTING DISC WITH 265722
265674	HOOK VIBRATING ECCENTRIC CONNECTION

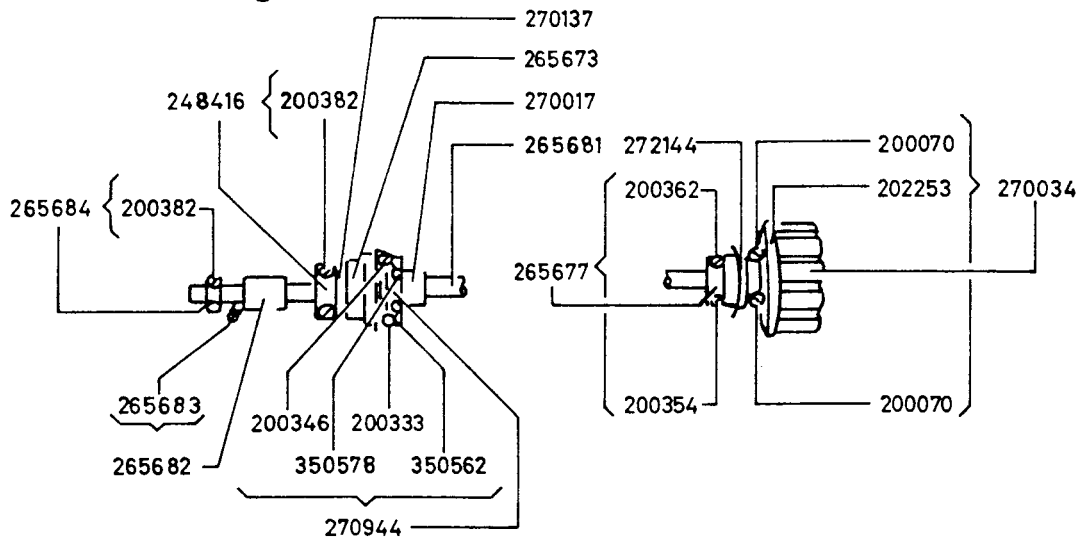
54897



54897



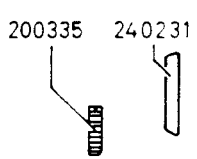
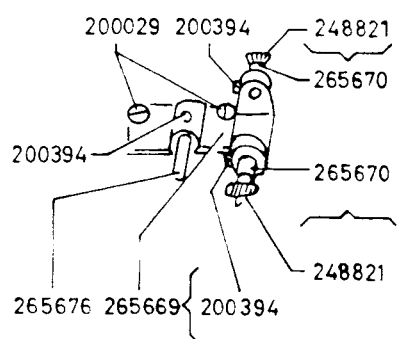
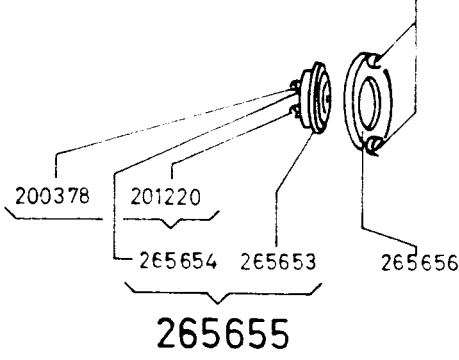
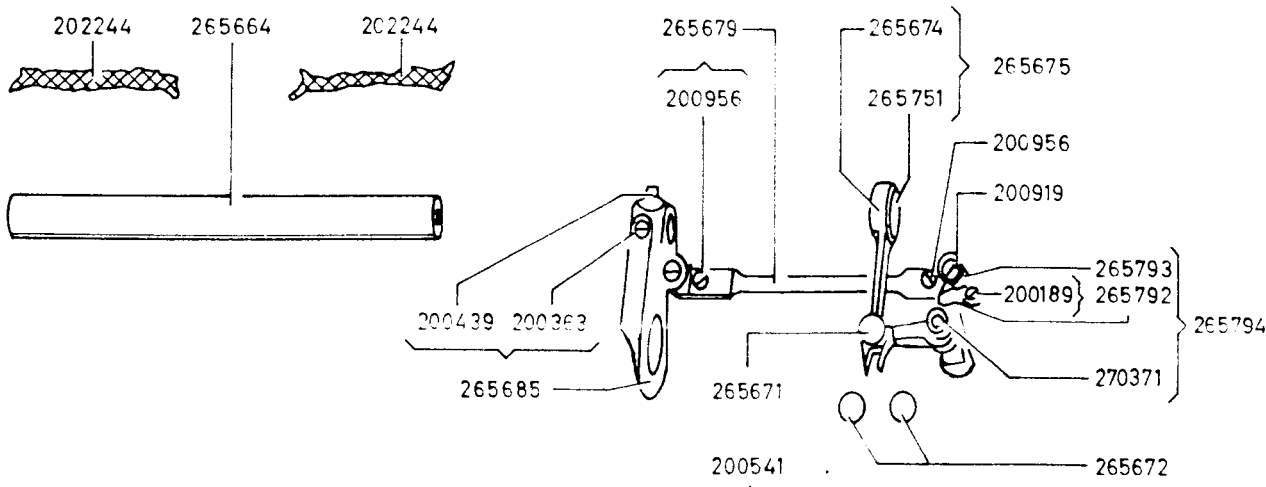
265715



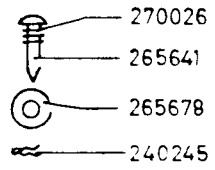
PART NO.	DESCRIPTION
265675	HOOK VIBRATING ECCENTRIC CONNECTION 265674 WITH 265751
265676	HOOK VIBRATING ECCENTRIC CONNECTION GUIDE STUD
265677	HOOK VIBRATING ECCENTRIC CONNECTION STOP COLLAR WITH 200354 AND 200362
265678	HOOK VIBRATING ECCENTRIC REGULATING STUD SOCKET
265679	HOOK VIBRATING PITMAN WITH TWO 200956
265681	HOOK VIBRATING SHAFT
265682	HOOK VIBRATING SHAFT BUSHING WITH 265683
265683	HOOK VIBRATING SHAFT BUSHING OIL PACKING (WICK)
265684	HOOK DRIVING SHAFT STOP COLLAR WITH TWO 200382
265685	HOOK VIBRATING YOKE WITH 200363, 200439 AND+265680
265715	HOOK VIBRATING SHAFT CONNECTION BELT (REINFORCED NEOPRENE)
265751	HOOK VIBRATING ECCENTRIC CONNECTION NEEDLE BEARING
265792	HOOK VIBRATING BELL CRANK WITH 200189
265793	HOOK VIBRATING BELL CRANK CONNECTION
265794	HOOK VIBRATING BELL CRANK WITH 265792, 265793 AND 270371
270017	FEED DRIVING ECCENTRIC
270026	HOOK VIBRATING ECCENTRIC REGULATING STUD SPRING
270034	HOOK VIBRATING SHAFT CONNECTION BELT PULLEY WITH 202253 AND TWO 200070
270137	HOOK VIBRATING ECCENTRIC ADJUSTING DISC SPRING
270371	HOOK VIBRATING BELL CRANK NEEDLE BEARING
270944	HOOK VIBRATING FLANGE WITH 200333, 200346, TWO EACH 350562 AND 350578
272144	HOOK VIBRATING SHAFT BALL BEARING
350562-833	HOOK VIBRATING ECCENTRIC FRICTION GIB ADJUSTING SCREW SET SCREW
350578-833	HOOK VIBRATING ECCENTRIC FRICTION GIB ADJUSTING SCREW
+265680	HOOK VIBRATING PITMAN HINGE SCREW BEARING, FOR 265685

PARTS MARKED WITH AN ASTERISK (+) ARE FURNISHED ONLY WHEN REPAIRS ARE MADE AT THE FACTORY.

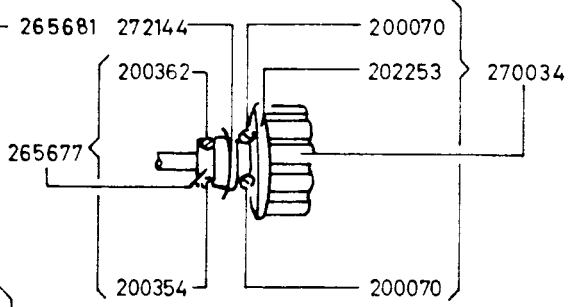
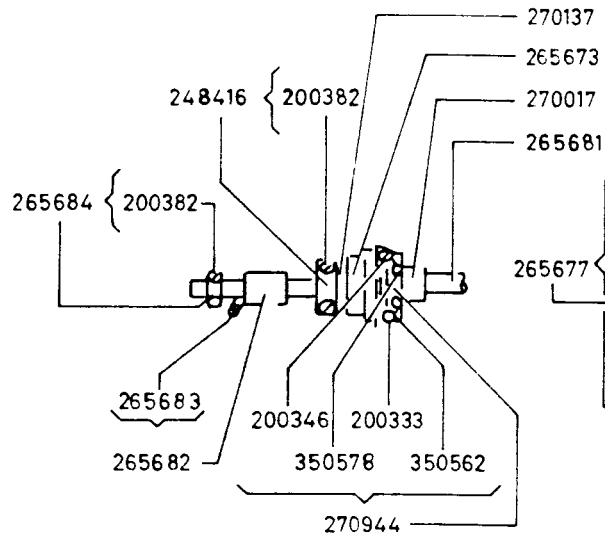
54897



54897

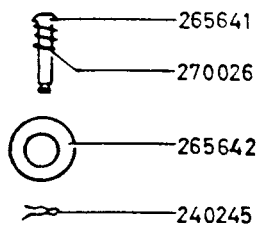
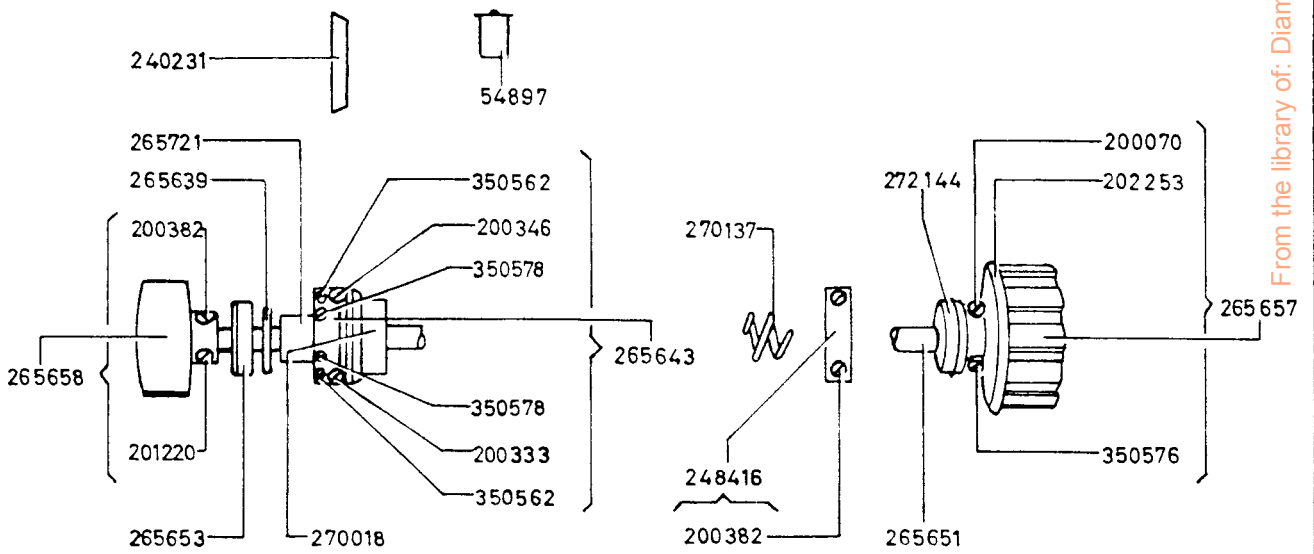
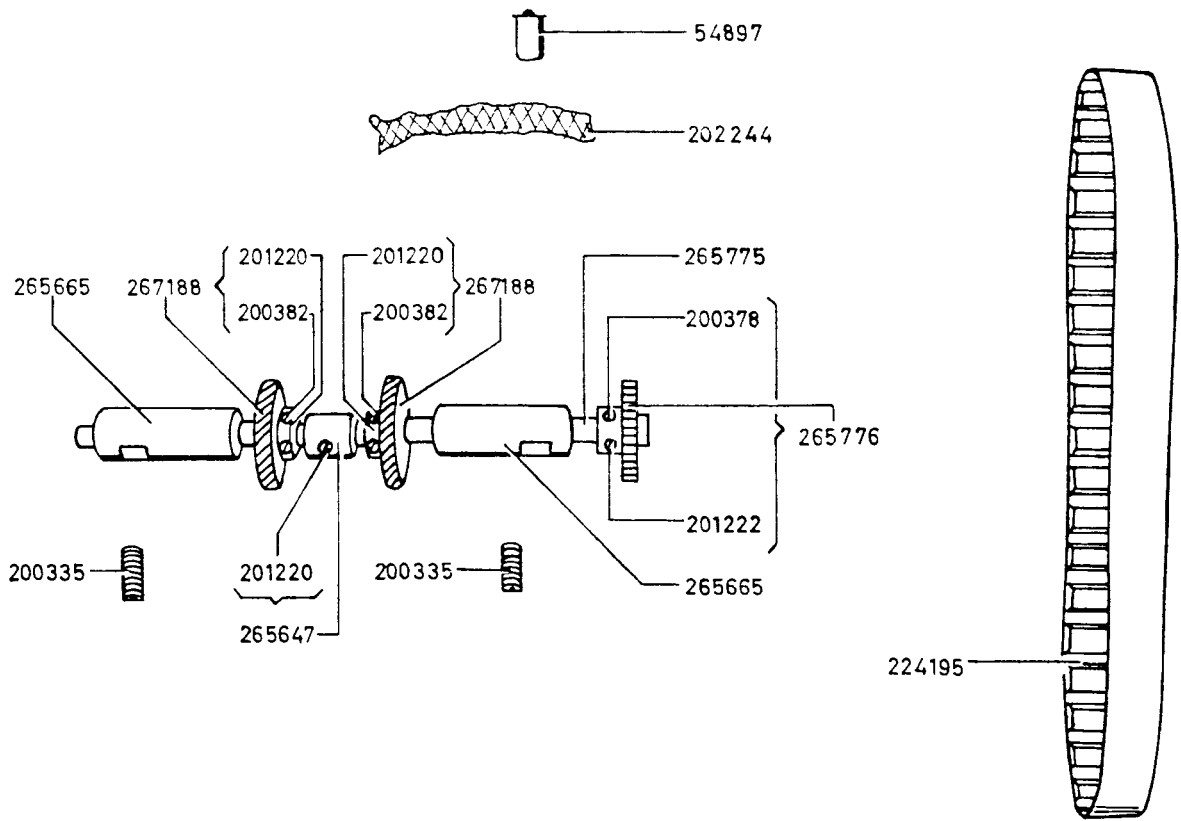


265715



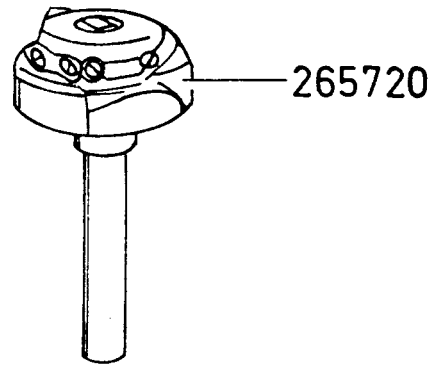
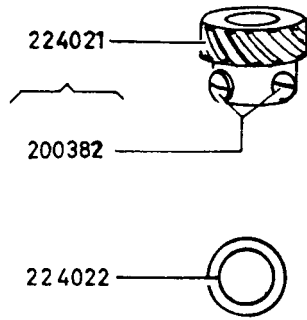
From the library of: Diamond Needle Corp

PART NO.	DESCRIPTION
054897	BED OIL CUP
200070-803	HOOK DRIVING SHAFT CONNECTION BELT PULLEY SET SCREW
200333-803	FEED DRIVING FLANGE POSITION SCREW
200335-803	HOOK SADDLE SUPPORT SET SCREW
200346-803	FEED DRIVING FLANGE SET SCREW
200378-803	HOOK DRIVING SHAFT COUPLING (FRONT) SET SCREW
200382-803	HOOK DRIVING GEAR SET SCREW (2)
200382-833	HOOK DRIVING SHAFT COUPLING SET SCREW
201220-833	HOOK DRIVING GEAR POSITION SCREW (2)
201220-833	HOOK DRIVING SHAFT COUPLING (BACK) POSITION SCREW
201220-833	FEED LIFTING ECCENTRIC SET SCREW
201222-803	HOOK DRIVING SHAFT COUPLING (FRONT) POSITION SCREW
202244	HOOK DRIVING SHAFT OILING FELT
202253	HOOK VIBRATING SHAFT CONNECTION BELT PULLEY SPRING FLANGE
224195	HOOK DRIVING SHAFT CONNECTION BELT (REINFORCED NEOPRENE)
240231	FEED DRIVING ECCENTRIC FRICTION GIB
240245	FEED DRIVING ECCENTRIC REGULATING STUD RETAINING SPRING
248416	FEED DRIVING ECCENTRIC ADJUSTING DISC SPRING COLLAR WITH TWO 200382
265639	FEED DRIVING CONNECTION THRUST WASHER
265641	FEED DRIVING ECCENTRIC REGULATING STUD
265642	FEED DRIVING ECCENTRIC REGULATING STUD SOCKET
265643	FEED DRIVING FLANGE WITH 200333, 200346, TWO EACH 350562 AND 350578
265647	FEED LIFTING ECCENTRIC WITH 201220
265651	HOOK DRIVING SHAFT (BACK)
265653	HOOK DRIVING SHAFT (FRONT) BALL BEARING
265657	HOOK DRIVING SHAFT CONNECTION BELT PULLEY WITH 200070, 202253 AND 350576
265658	HOOK DRIVING SHAFT COUPLING (BACK) WITH 200382 AND 201220
265665	HOOK SADDLE SUPPORT (2)
265721	FEED DRIVING ECCENTRIC
265775	HOOK DRIVING SHAFT (FRONT)
265776	HOOK DRIVING SHAFT COUPLING (FRONT) WITH 200382 AND 201222
267188	HOOK DRIVING GEAR (SPIRAL) WITH 200382 AND 201220
270018	FEED DRIVING ECCENTRIC ADJUSTING DISC
270026	FEED DRIVING ECCENTRIC REGULATING STUD SPRING
270137	FEED DRIVING ECCENTRIC ADJUSTING DISC SPRING
272144	HOOK DRIVING SHAFT (BACK) BALL BEARING
350562-833	FEED DRIVING ECCENTRIC FRICTION GIB ADJUSTING SCREW SET SCREW
350576-803	HOOK DRIVING SHAFT CONNECTION BELT PULLEY POSITION SCREW
350578-833	FEED DRIVING ECCENTRIC FRICTION GIB ADJUSTING SCREW

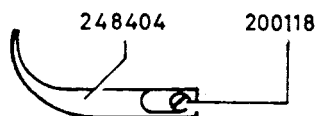
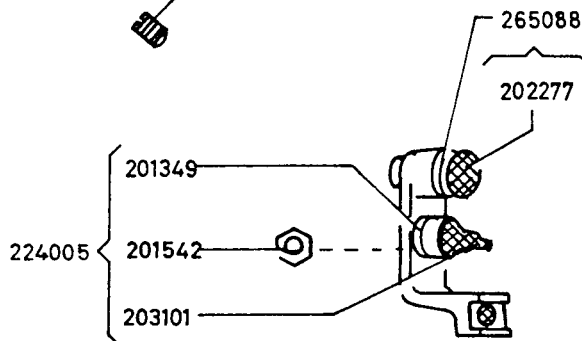
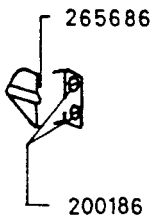
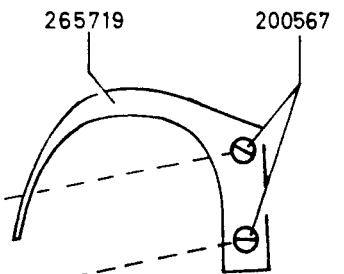
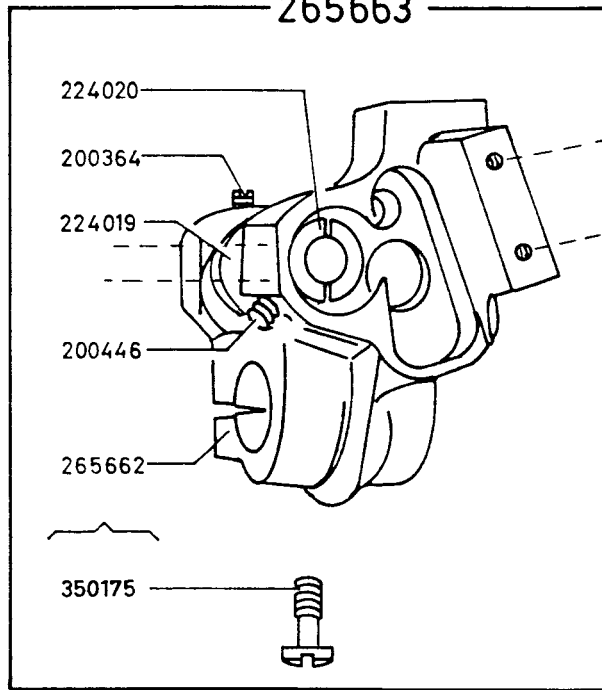


PART NO.	DESCRIPTION
200118-804	BOBBIN CASE OPENER SCREW (2)
200186-819	LOOP DEFLECTOR SCREW (2)
200364-830	BOBBIN CASE OPENER LEVER HINGE STUD SET SCREW
200364-830	HOOK BUSHING (LOWER) SET SCREW
200382-833	HOOK DRIVING PINION SET SCREW (2)
200446-803	HOOK BUSHING (UPPER) POSITION SCREW
200567-819	BOBBIN CASE STOP SCREW (2)
201349-803	BOBBIN CASE OPENER LEVER DRIVING SCREW STUD
201542-803	BOBBIN CASE OPENER LEVER DRIVING SCREW STUD NUT
202277	BOBBIN CASE OPENER LEVER HINGE STUD OIL PACKING (WICK)
203101	BOBBIN CASE OPENER LEVER DRIVING SCREW STUD OIL PACKING (WICK)
224005	BOBBIN CASE OPENER LEVER WITH 201349, 201542 AND 203101
224020	HOOK BUSHING (UPPER) (BRONZE)
224021	HOOK DRIVING PINION (SPIRAL) WITH TWO 200382
224022	HOOK DRIVING PINION THRUST WASHER
248404	BOBBIN CASE OPENER
248405	BOBBIN CASE OPENER LEVER LINK
265088	BOBBIN CASE OPENER LEVER HINGE STUD WITH 202277
265662	HOOK SADDLE (RIGHT) WITH TWO 350175
265663	HOOK SADDLE 265662
265667	HOOK SADDLE (RIGHT) CPL. NOS. 200188, 224005, 224021, 224022, 248404, 248405, 265088, 265663, 265686, 265719, 265720 AND TWO EACH 200186 AND 200567
265686	LOOP DEFLECTOR
265719	BOBBIN CASE STOP
265720	HOOK AND BOBBIN CASE CPL. (SEE PAGE 12)
350175-805	HOOK SADDLE PINCH SCREW (2)

265667

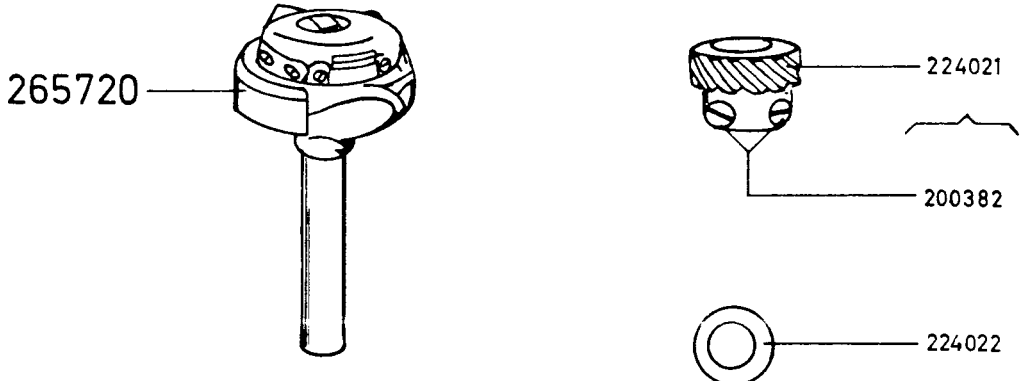


265663

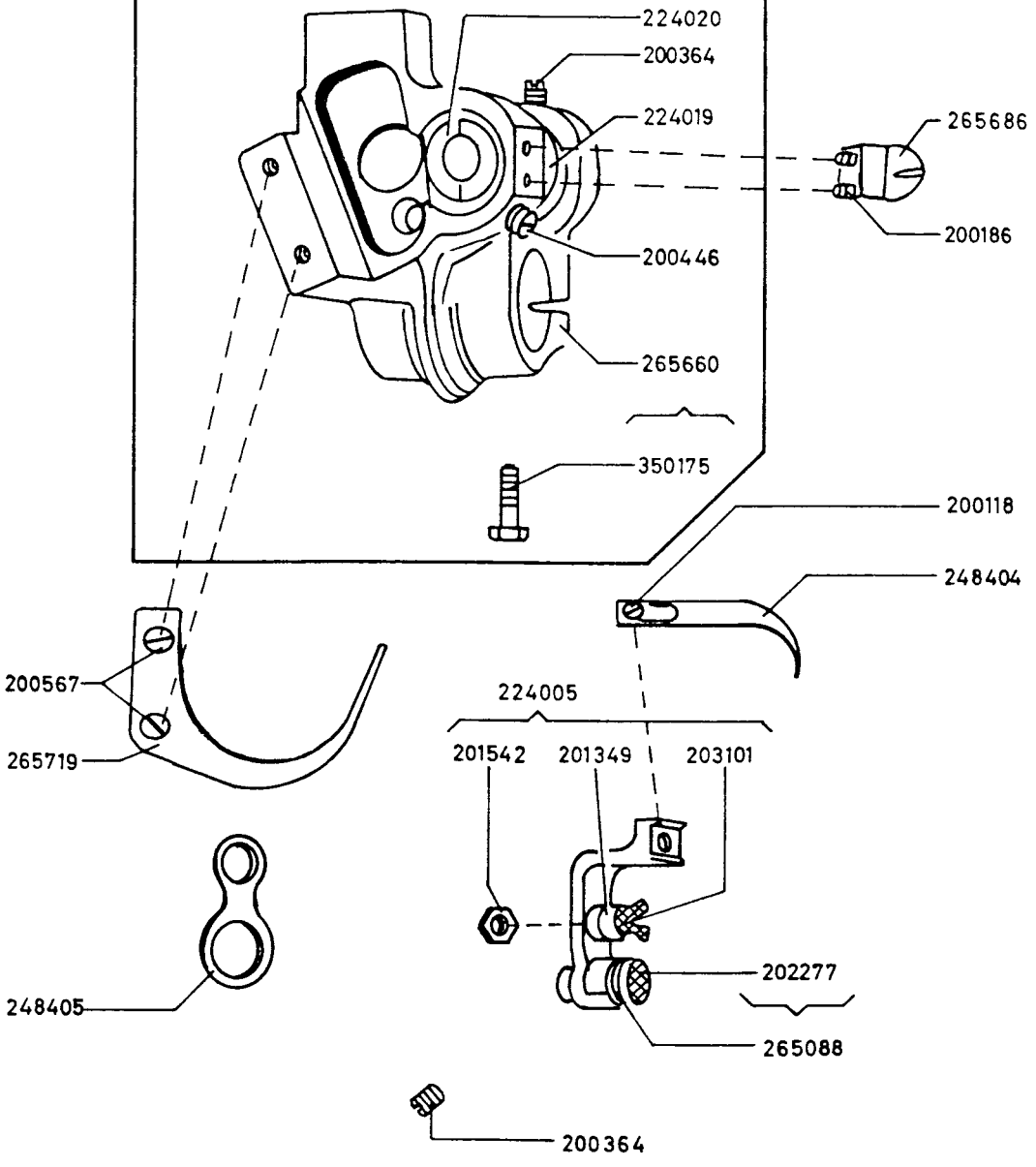


PART NO.	DESCRIPTION
200118-804	BOBBIN CASE OPENER SCREW
200186-819	LOOP DEFLECTOR SCREW (2)
200364-830	BOBBIN CASE OPENER LEVER HINGE STUD SET SCREW
200364-830	HOOK BUSHING (LOWER) SET SCREW
200382-833	HOOK DRIVING PINION SET SCREW (2)
200446-803	HOOK BUSHING (UPPER) POSITION SCREW
200567-819	BOBBIN CASE STOP SCREW (2)
201349-803	BOBBIN CASE OPENER LEVER DRIVING SCREW STUD
201542-803	BOBBIN CASE OPENER LEVER DRIVING SCREW STUD NUT
202277	BOBBIN CASE OPENER LEVER HINGE STUD OIL PACKING (WICK)
203101	BOBBIN CASE OPENER LEVER DRIVING SCREW STUD OIL PACKING (WICK)
224005	BOBBIN CASE OPENER LEVER WITH 201349, 201542 AND 203101
224019	HOOK BUSHING (LOWER) (BRONZE)
224020	HOOK BUSHING (UPPER) (BRONZE)
224021	HOOK DRIVING PINION (SPIRAL) WITH TWO 200382
224022	HOOK DRIVING PINION THRUST WASHER
248404	BOBBIN CASE OPENER
248405	BOBBIN CASE OPENER LEVER LINK
265088	BOBBIN CASE OPENER LEVER HINGE STUD WITH 202277
265660	HOOK SADDLE (LEFT) WITH TWO 350175
265661	HOOK SADDLE 265660 WITH 200446, 224019, 224020 AND TWO 200364
265666	HOOK SADDLE (LEFT) CPL. NOS. 200118, 224005, 224021, 224022, 248404, 248405, 265088, 265661, 265686, 265719, 265720 AND TWO EACH 200186 AND 200567
265686	LOOP DEFLECTOR
265719	BOBBIN CASE STOP
265720	HOOK AND BOBBIN CASE CPL. (SEE PAGE 12)
350175-805	HOOK SADDLE PINCH SCREW (2)

265666



265661



PART NO.	DESCRIPTION
200590-815	HOOK WASHER SCREW (2)
200594-805	BOBBIN CASE TENSION SPRING SCREW
200984-803	BOBBIN CASE TENSION SPRING REGULATING SCREW
201253-806	HOOK GIB SCREW (2)
203211	BOBBIN CASE BASE LATCH
203212	BOBBIN CASE BASE LATCH PLUNGER
203213	BOBBIN CASE BASE LATCH SPRING
203216	BOBBIN CASE WASHER (CLOTH)
203525	HOOK GIB
224017	HOOK WITH TWO 200590, TWO 201253, 203525 AND 224025
224025	HOOK WASHER
233939	BOBBIN
235769	BOBBIN CASE BASE WITH 202056, 203211, 203212, 203213 AND 203216
235771	BOBBIN CASE TENSION SPRING
241674	BOBBIN CASE OILING FELT
241675	BOBBIN CASE OILING FELT RETAINER
241676	BOBBIN CASE WITH 200594, 200984, 235771, 241674, 241675, AND TWO 350405
241677	BOBBIN CASE CPL. NOS. 235769 AND 241676
265720	HOOK AND BOBBIN CASE CPL. NOS. 224017 AND 241677
350405-803	BOBBIN CASE OILING FELT RETAINER SCREW
+202056	BOBBIN CASE BASE LATCH PIN
+224016	HOOK (SEWING)

PARTS MARKED WITH AN ASTERISK (+) ARE FURNISHED ONLY WHEN REPAIRS ARE MADE AT THE FACTORY.

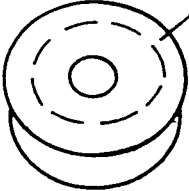
265720

241677

241676

235769

224017



233939

200984

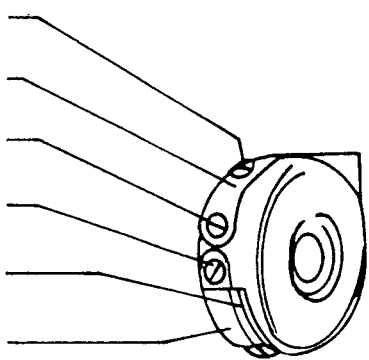
235771

200594

350405

241674

241675

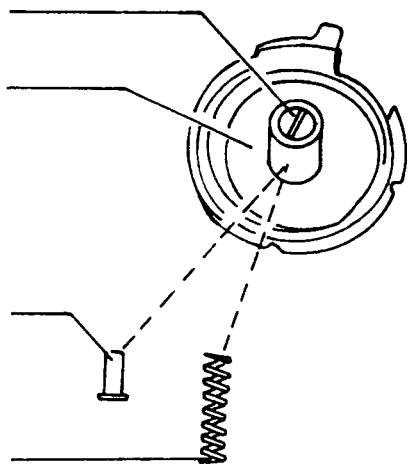


203211

203216

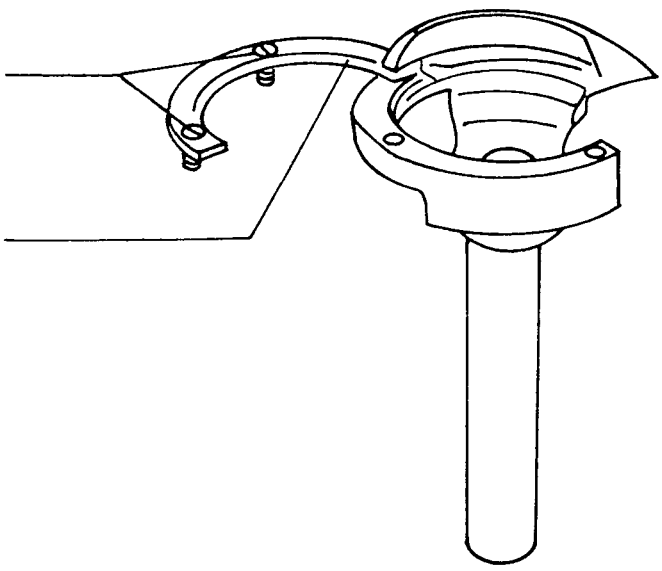
203212

203213



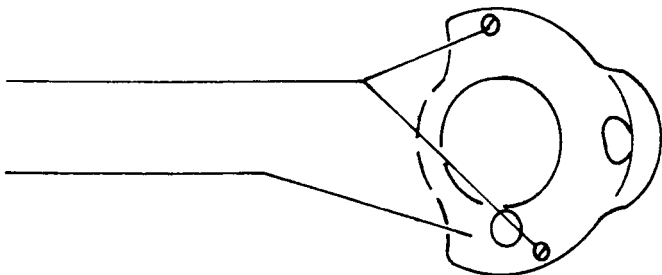
201253

203525

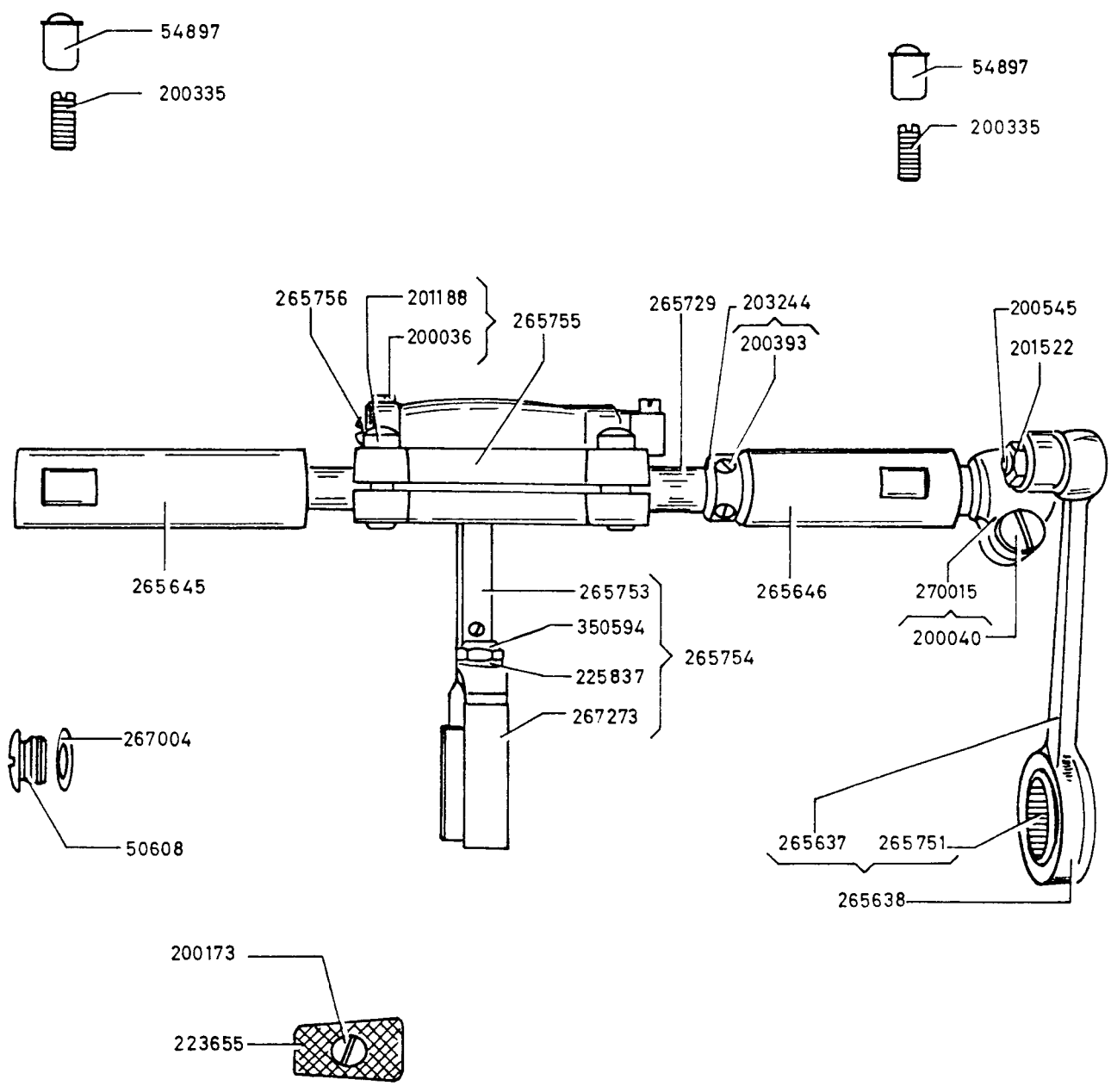


200590

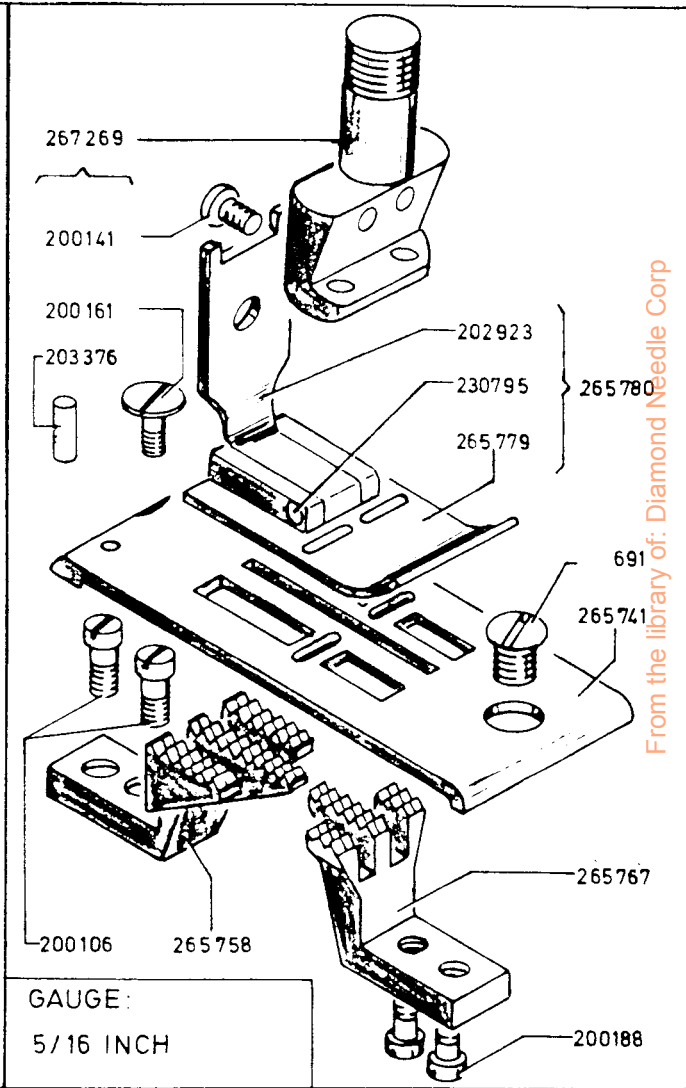
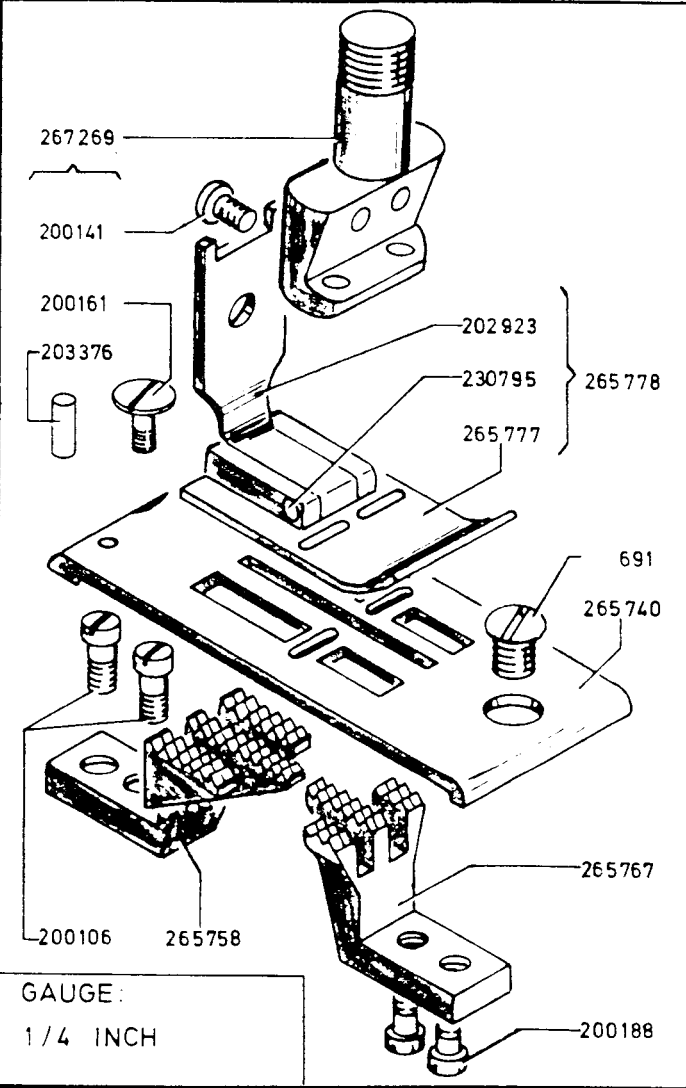
224025



PART NO.	DESCRIPTION
050608-819	FEED DRIVING ROCK SHAFT BUSHING (LEFT) OIL STOP SCREW
054897	BED OIL CUP (2)
200036-805	FEED BAR CRANK SET SCREW (2)
200040-805	FEED DRIVING CONNECTION CRANK PINCH SCREW
200173-804	FEED LIFTING ECCENTRIC OILING FELT SCREW
200335-803	FEED DRIVING ROCK SHAFT BUSHING SET SCREW (2)
200393-803	FEED DRIVING ROCK SHAFT COLLAR SET SCREW (2)
200545-805	FEED DRIVING CONNECTION HINGE SCREW
201188-803	FEED BAR HINGE STUD (ECCENTRIC) SET SCREW (2)
201522-805	FEED DRIVING CONNECTION HINGE SCREW NUT
203244	FEED DRIVING ROCK SHAFT COLLAR WITH TWO 200393
223655	FEED LIFTING ECCENTRIC OILING FELT
225837	FEED LIFTING ECCENTRIC FORK SCREW WASHER
265637	FEED DRIVING CONNECTION
265638	FEED DRIVING CONNECTION 265637 WITH 265751
265645	FEED DRIVING ROCK SHAFT BUSHING (LEFT)
265646	FEED DRIVING ROCK SHAFT BUSHING (RIGHT)
265729	FEED DRIVING ROCK SHAFT
265751	FEED DRIVING CONNECTION NEEDLE BEARING
265753	FEED BAR
265754	FEED BAR 265753 WITH 225837, 267273 AND 350594
265755	FEED BAR CRANK WITH TWO EACH 200036 AND 201188
265756	FEED BAR HINGE STUD (ECCENTRIC)
267004	FEED DRIVING ROCK SHAFT BUSHING (LEFT) OIL STOP SCREW GASKET
267273	FEED LIFTING ECCENTRIC FORK WITH 200173 AND 223655
270015	FEED DRIVING CONNECTION CRANK WITH 200040
350594-803	FEED LIFTING ECCENTRIC FORK SCREW

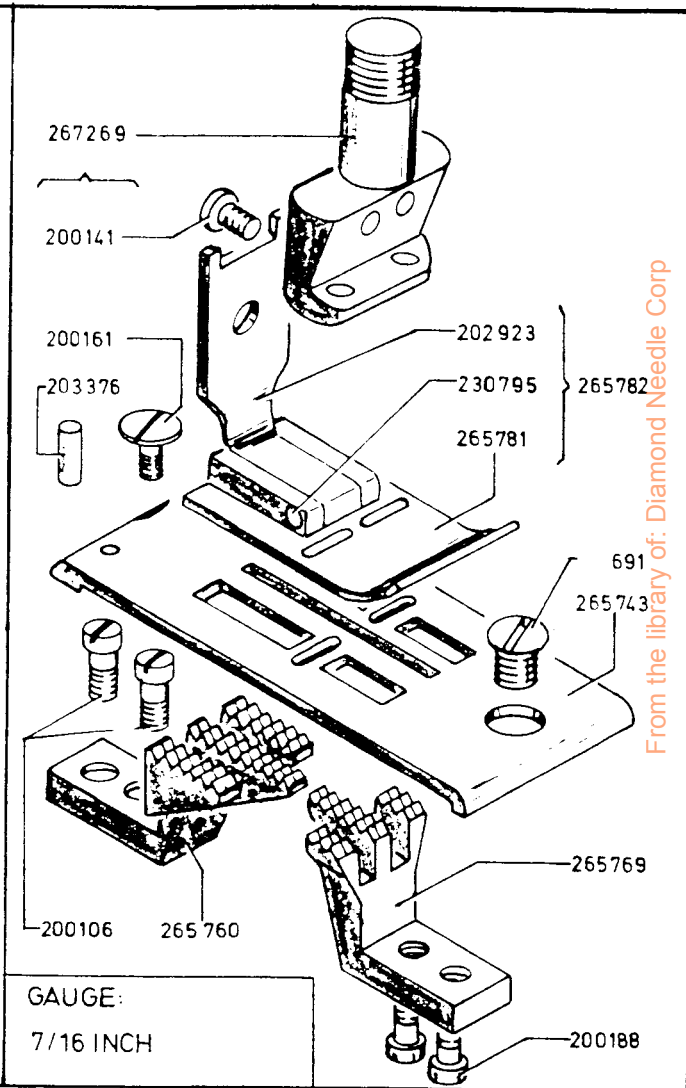
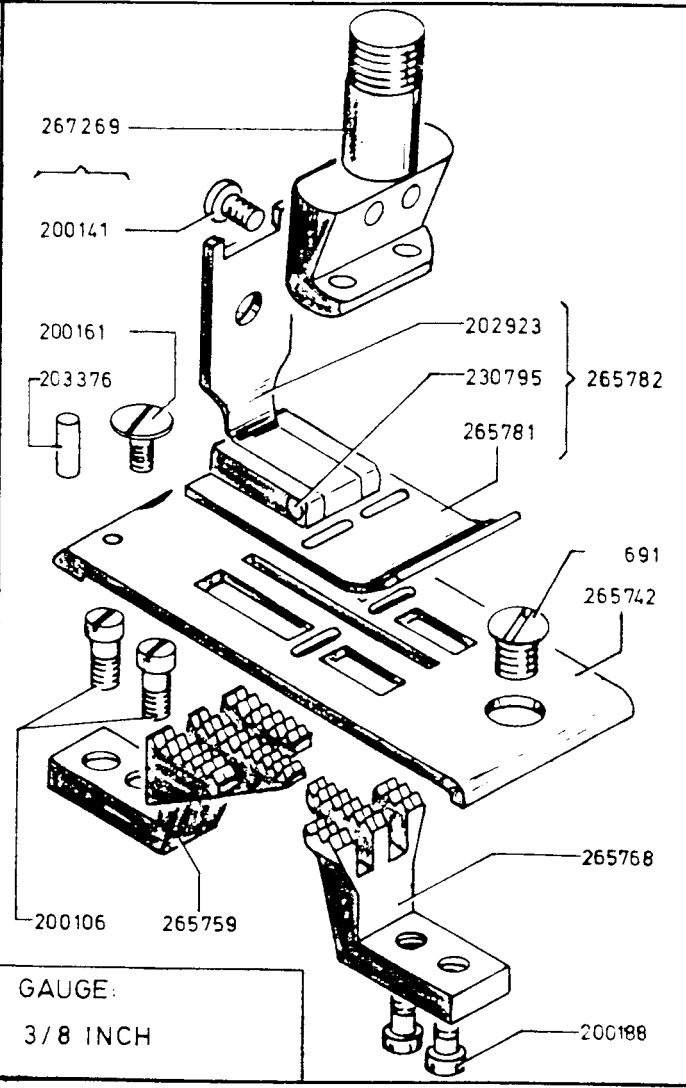


PART NO.	DESCRIPTION
000691-831	THROAT PLATE SCREW (2)
200106-805	FEED DOG (BACK) SCREW (2)
200141-806	NEEDLE SET SCREW (2)
200161-804	THROAT PLATE CLAMP SCREW
200188-833	FEED DOG (FRONT) SCREW(2)
202923	PRESSER FOOT SHANK
203376	THROAT PLATE POSITION PIN
230795	PRESSER FOOT HINGE PIN
265740	THROAT PLATE, 50 NEEDLE HOLE, FOR NEEDLE SIZES 16 AND 18, 1/4 INCH GAUGE
265741	THROAT PLATE, 50 NEEDLE HOLE, FOR NEEDLE SIZES 16 AND 18, 5/16 INCH GAUGE
265742	THROAT PLATE, 50 NEEDLE HOLE, FOR NEEDLE SIZES 16 AND 18, 3/8 INCH GAUGE
265743	THROAT PLATE, 50 NEEDLE HOLE, FOR NEEDLE SIZES 16 AND 18, 7/16 INCH GAUGE
265758	FEED DOG (BACK), 1/4 AND 5/16 INCH GAUGE
265759	FEED DOG (BACK), 3/8 INCH GAUGE
265760	FEED DOG (BACK), 7/16 INCH GAUGE
265767	FEED DOG (FRONT), 1/4 AND 5/16 INCH GAUGE
265768	FEED DOG (FRONT), 3/8 INCH GAUGE
265769	FEED DOG (FRONT), 7/16 INCH GAUGE
265777	PRESSER FOOT PLATE, 50 NEEDLE HOLE, 1/4 INCH GAUGE
265778	PRESSER FOOT (HINGED) CPL. 50 NEEDLE HOLE, 1/4 INCH GAUGE, NOS. 202923, 230795 AND 265777
265779	PRESSER FOOT PLATE, 50 NEEDLE HOLE, 5/16 INCH GAUGE
265780	PRESSER FOOT (HINGED) CPL. 50 NEEDLE HOLE, 5/16 INCH GAUGE, NOS. 202923, 230795 AND 265779
265781	PRESSER FOOT PLATE, 50 NEEDLE HOLE, IN GAUGES 3/8 AND 7/16 INCH
265782	PRESSER FOOT (HINGED) CPL. 50 NEEDLE HOLE, IN GAUGES 3/8 AND 7/16 INCH, NOS. 202923, 230795 AND 265781
267269	NEEDLE HOLDER, IN GAUGES FROM 1/4 TO 15/32 INCH, IN STEPS OF 1/32 INCH WITH TWO 200141



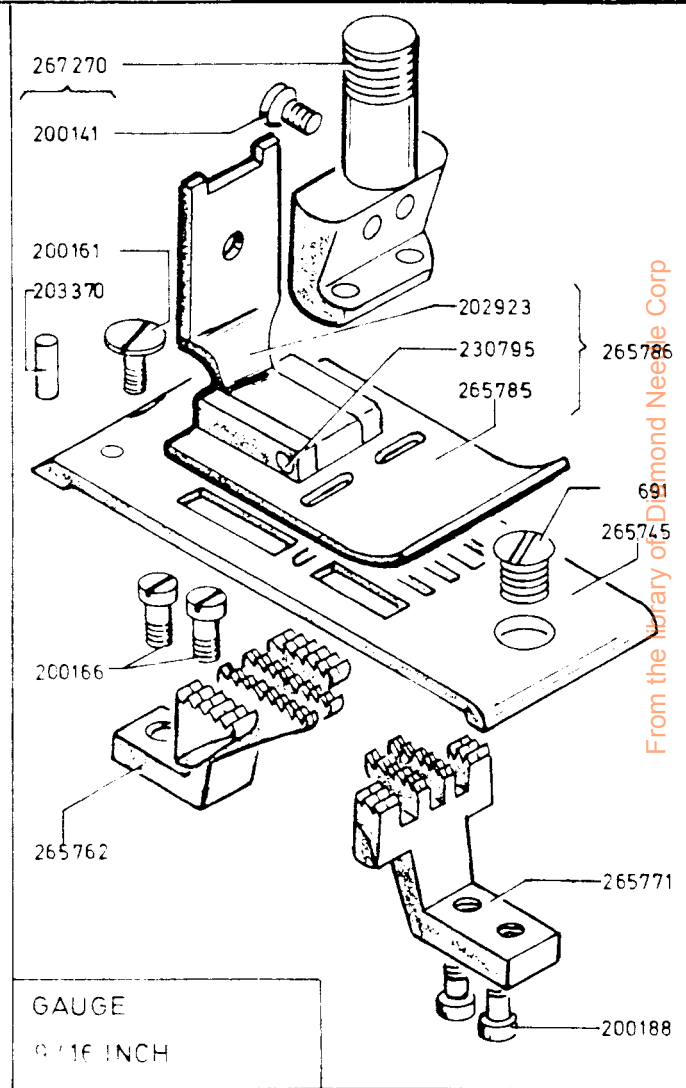
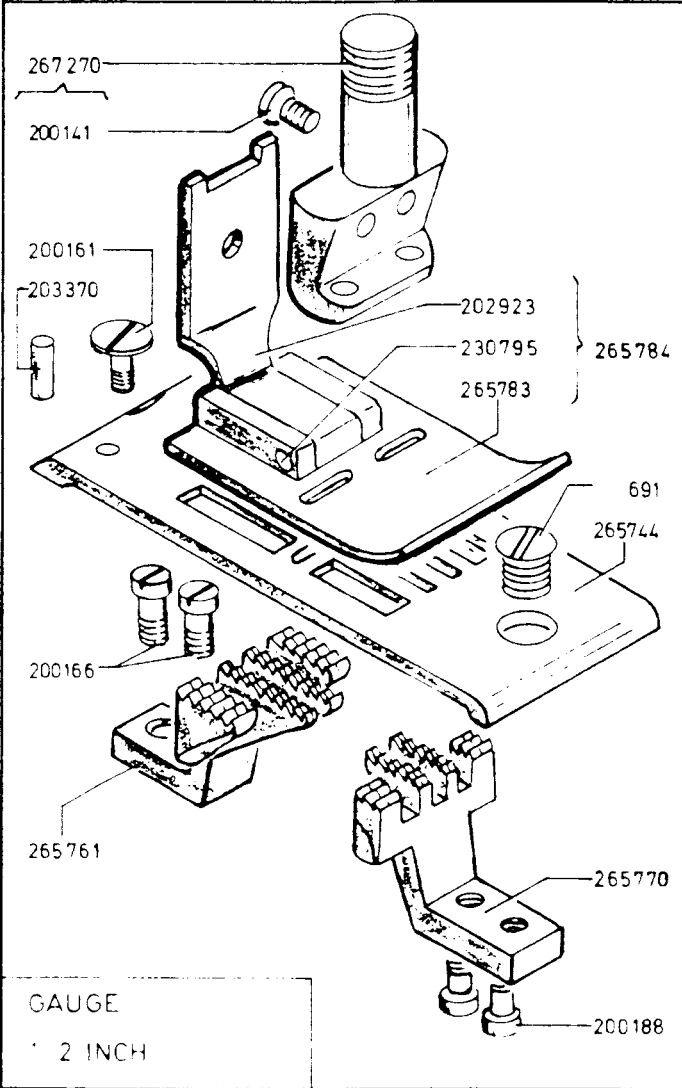
From the library of: Diamond Needle Corp

PART NO.	DESCRIPTION
000691-831	THROAT PLATE SCREW (2)
200106-805	FEED DOG (BACK) SCREW (2)
200141-806	NEEDLE SET SCREW (2)
200161-804	THROAT PLATE CLAMP SCREW
200188-833	FEED DOG (FRONT) SCREW(2)
202923	PRESSER FOOT SHANK
203376	THROAT PLATE POSITION PIN
230795	PRESSER FOOT HINGE PIN
265740	THROAT PLATE, 50 NEEDLE HOLE, FOR NEEDLE SIZES 16 AND 18, 1/4 INCH GAUGE
265741	THROAT PLATE, 50 NEEDLE HOLE, FOR NEEDLE SIZES 16 AND 18, 5/16 INCH GAUGE
265742	THROAT PLATE, 50 NEEDLE HOLE, FOR NEEDLE SIZES 16 AND 18, 3/8 INCH GAUGE
265743	THROAT PLATE, 50 NEEDLE HOLE, FOR NEEDLE SIZES 16 AND 18, 7/16 INCH GAUGE
265758	FEED DOG (BACK), 1/4 AND 5/16 INCH GAUGE
265759	FEED DOG (BACK), 3/8 INCH GAUGE
265760	FEED DOG (BACK), 7/16 INCH GAUGE
265767	FEED DOG (FRONT), 1/4 AND 5/16 INCH GAUGE
265768	FEED DOG (FRONT), 3/8 INCH GAUGE
265769	FEED DOG (FRONT), 7/16 INCH GAUGE
265777	PRESSER FOOT PLATE, 50 NEEDLE HOLE, 1/4 INCH GAUGE
265778	PRESSER FOOT (HINGED) CPL. 50 NEEDLE HOLE, 1/4 INCH GAUGE, NOS. 202923, 230795 AND 265777
265779	PRESSER FOOT PLATE, 50 NEEDLE HOLE, 5/16 INCH GAUGE
265780	PRESSER FOOT (HINGED) CPL. 50 NEEDLE HOLE, 5/16 INCH GAUGE, NOS. 202923, 230795 AND 265779
265781	PRESSER FOOT PLATE, 50 NEEDLE HOLE, IN GAUGES 3/8 AND 7/16 INCH
265782	PRESSER FOOT (HINGED) CPL. 50 NEEDLE HOLE, IN GAUGES 3/8 AND 7/16 INCH, NOS. 202923, 230795 AND 265781
267269	NEEDLE HOLDER, IN GAUGES FROM 1/4 TO 15/32 INCH, IN STEPS OF 1/32 INCH WITH TWO 200141



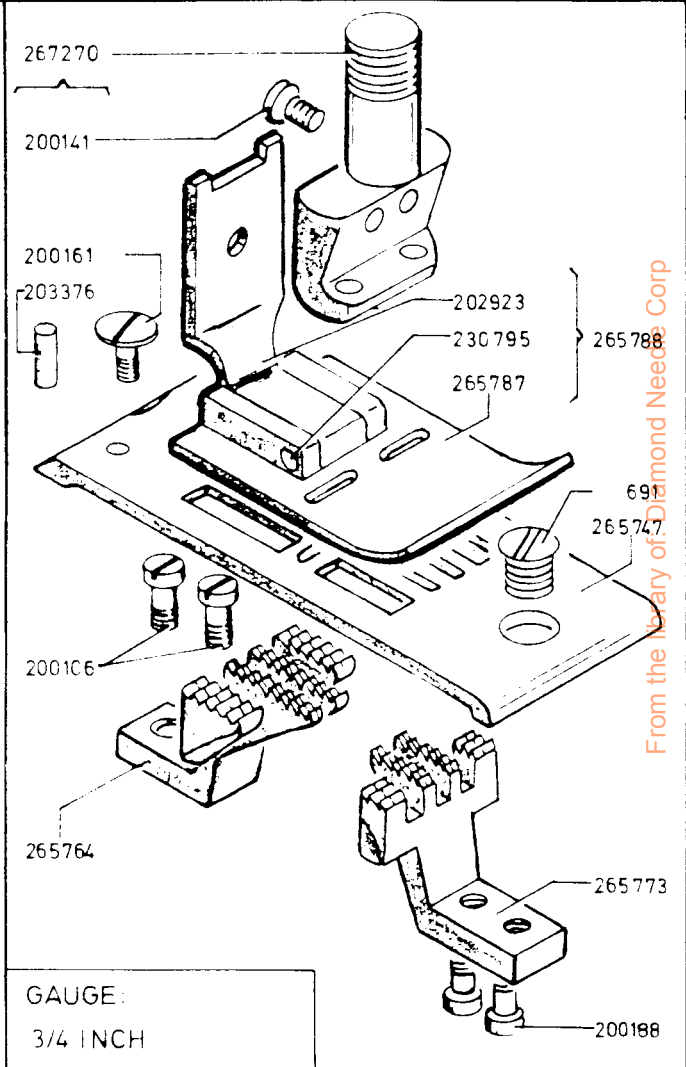
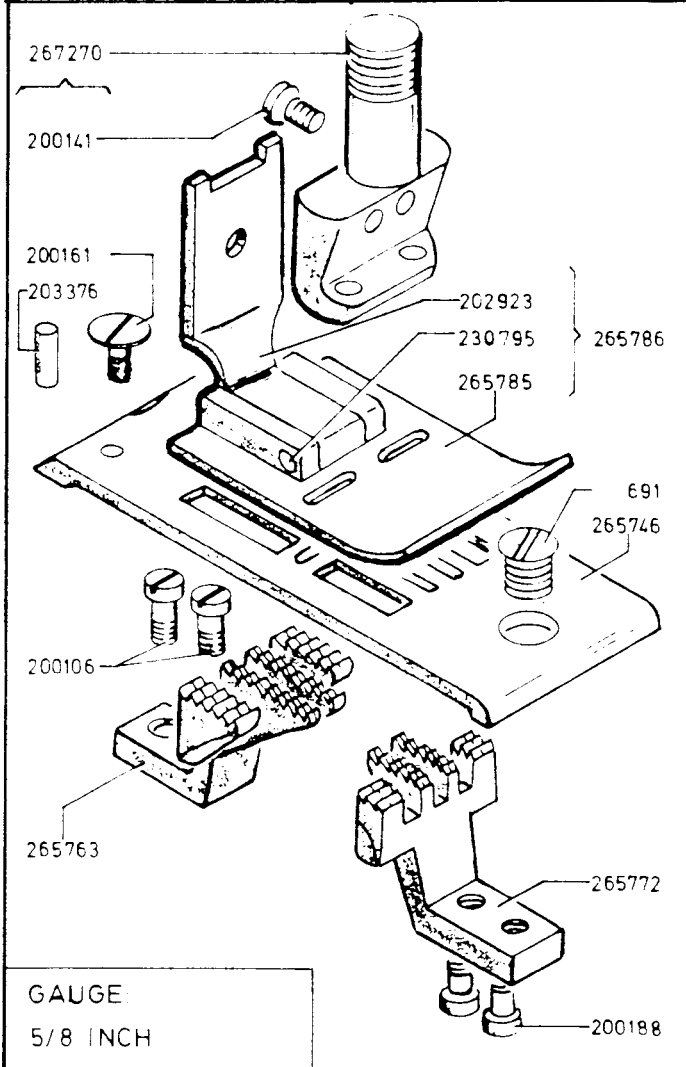
From the library of: Diamond Needle Corp

PART NO.	DESCRIPTION
000691-831	THROAT PLATE SCREW (2)
200106-805	FEED DOG (BACK) SCREW (2)
200141-806	NEEDLE SET SCREW (2)
200161-804	THROAT PLATE CLAMP SCREW
200188-833	FEED DOG (FRONT) SCREW (2)
202923	PRESSER FOOT SHANK
203376	THROAT PLATE POSITION PIN
230795	PRESSER FOOT HINGE PIN
265744	THROAT PLATE, 50 NEEDLE HOLE, FOR NEEDLE SIZES 16 AND 18, 1/2 INCH GAUGE
265745	THROAT PLATE, 50 NEEDLE HOLE, FOR NEEDLE SIZES 16 AND 18, 9/16 INCH GAUGE
265746	THROAT PLATE, 50 NEEDLE HOLE, FOR NEEDLE SIZES 16 AND 18, 5/8 INCH GAUGE
265747	THROAT PLATE, 50 NEEDLE HOLE, FOR NEEDLE SIZES 16 AND 18, 3/4 INCH GAUGE
265761	FEED DOG (BACK), 1/2 INCH GAUGE
265762	FEED DOG (BACK), 9/16 INCH GAUGE
265763	FEED DOG (BACK), 5/8 INCH GAUGE
265764	FEED DOG (BACK), 3/4 INCH GAUGE
265770	FEED DOG (FRONT), 1/2 INCH GAUGE
265771	FEED DOG (FRONT), 9/16 INCH GAUGE
265772	FEED DOG (FRONT), 5/8 INCH GAUGE
265773	FEED DOG (FRONT), 3/4 INCH GAUGE
265783	PRESSER FOOT PLATE, 50 NEEDLE HOLE, 1/2 INCH GAUGE
265784	PRESSER FOOT (HINGED) CPL. 50 NEEDLE HOLE, 1/2 INCH GAUGE, NOS. 202923, 230795 AND 265783
265785	PRESSER FOOT PLATE, 50 NEEDLE HOLE, IN GAUGES 9/16 AND 5/8 INCH
265786	PRESSER FOOT (HINGED) CPL. 50 NEEDLE HOLE, IN GAUGES 9/16 AND 5/8 INCH, NOS. 202923, 230795 AND 265785
265787	PRESSER FOOT PLATE, 50 NEEDLE HOLE, 3/4 INCH GAUGE
265788	PRESSER FOOT (HINGED) CPL. 50 NEEDLE HOLE, 3/4 INCH GAUGE, NOS. 202923, 230795 AND 265787
267270	NEEDLE HOLDER IN GAUGES FROM 1/2 TO 3/4 INCH, IN STEPS OF 1/32 INCH WITH TWO 200141



From the Library of Diamond Needle Corp

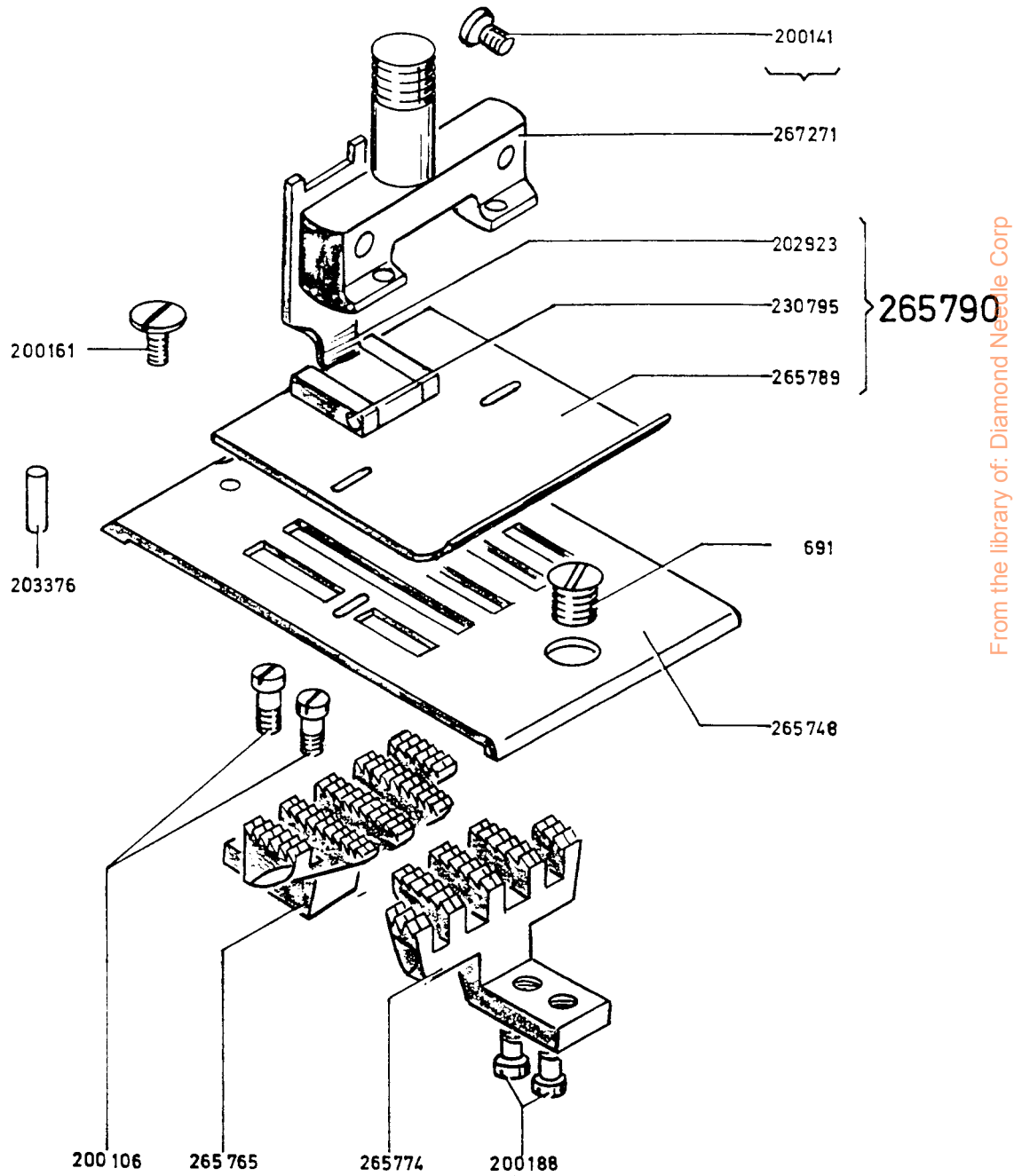
PART NO.	DESCRIPTION
000691-831	THROAT PLATE SCREW (2)
200106-805	FEED DOG (BACK) SCREW (2)
200141-806	NEEDLE SET SCREW (2)
200161-804	THROAT PLATE CLAMP SCREW
200188-833	FEED DOG (FRONT) SCREW (2)
202923	PRESSER FOOT SHANK
203376	THROAT PLATE POSITION PIN
230795	PRESSER FOOT HINGE PIN
265744	THROAT PLATE, 50 NEEDLE HOLE, FOR NEEDLE SIZES 16 AND 18, 1/2 INCH GAUGE
265745	THROAT PLATE, 50 NEEDLE HOLE, FOR NEEDLE SIZES 16 AND 18, 9/16 INCH GAUGE
265746	THROAT PLATE, 50 NEEDLE HOLE, FOR NEEDLE SIZES 16 AND 18, 5/8 INCH GAUGE
265747	THROAT PLATE, 50 NEEDLE HOLE, FOR NEEDLE SIZES 16 AND 18, 3/4 INCH GAUGE
265761	FEED DOG (BACK), 1/2 INCH GAUGE
265762	FEED DOG (BACK), 9/16 INCH GAUGE
265763	FEED DOG (BACK), 5/8 INCH GAUGE
265764	FEED DOG (BACK), 3/4 INCH GAUGE
265770	FEED DOG (FRONT), 1/2 INCH GAUGE
265771	FEED DOG (FRONT), 9/16 INCH GAUGE
265772	FEED DOG (FRONT), 5/8 INCH GAUGE
265773	FEED DOG (FRONT), 3/4 INCH GAUGE
265783	PRESSER FOOT PLATE, 50 NEEDLE HOLE, 1/2 INCH GAUGE
265784	PRESSER FOOT (HINGED) CPL. 50 NEEDLE HOLE, 1/2 INCH GAUGE, NOS. 202923, 230795 AND 265783
265785	PRESSER FOOT PLATE, 50 NEEDLE HOLE, IN GAUGES 9/16 AND 5/8 INCH
265786	PRESSER FOOT (HINGED) CPL. 50 NEEDLE HOLE, IN GAUGES 9/16 AND 5/8 INCH, NOS. 202923, 230795 AND 265785
265787	PRESSER FOOT PLATE, 50 NEEDLE HOLE, 3/4 INCH GAUGE
265788	PRESSER FOOT (HINGED) CPL. 50 NEEDLE HOLE, 3/4 INCH GAUGE, NOS. 202923, 230795 AND 265787
267270	NEEDLE HOLDER IN GAUGES FROM 1/2 TO 3/4 INCH, IN STEPS OF 1/32 INCH WITH TWO 200141



From the library of Diamond Needs Corp

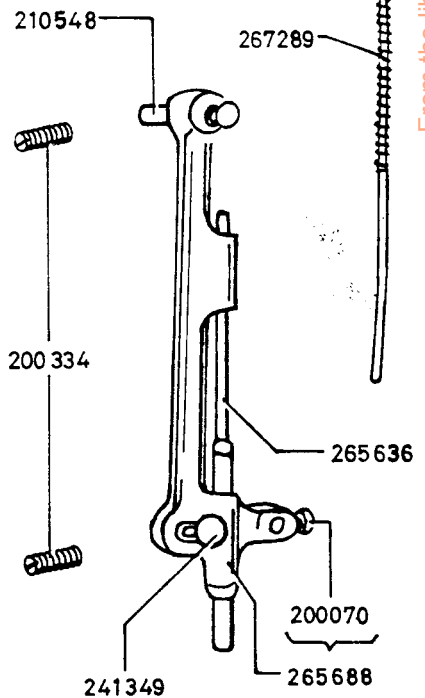
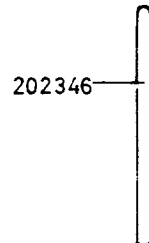
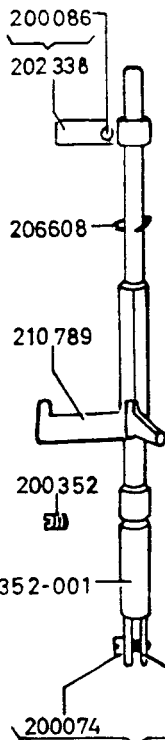
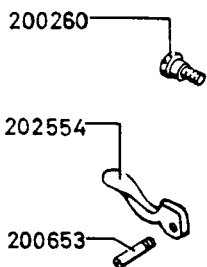
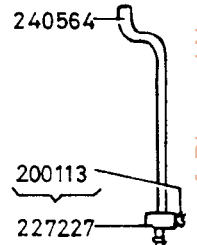
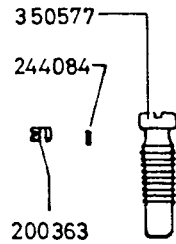
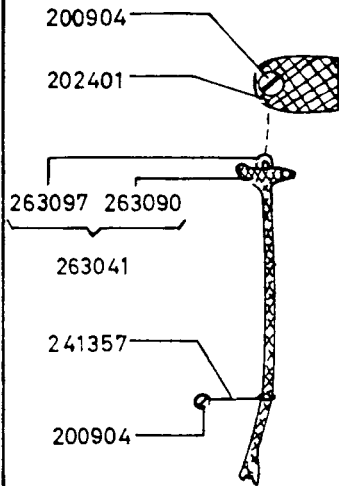
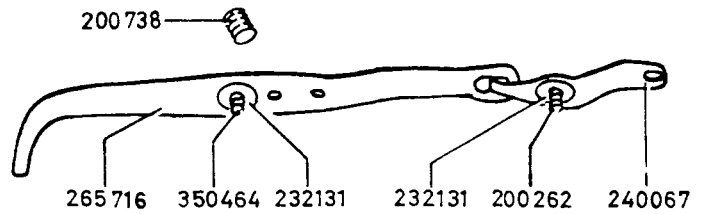
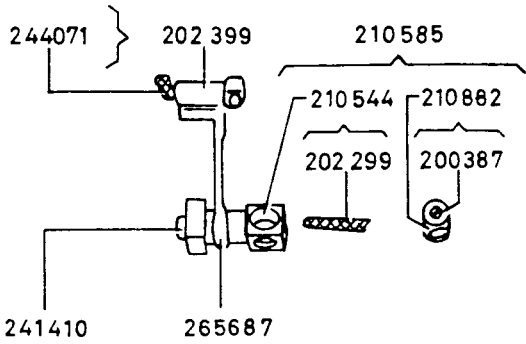
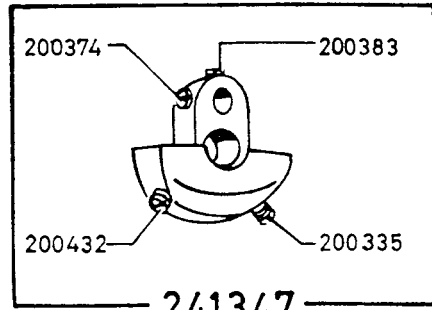
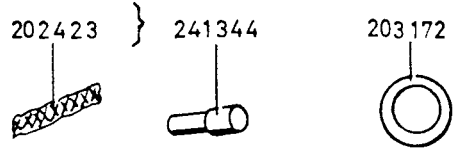
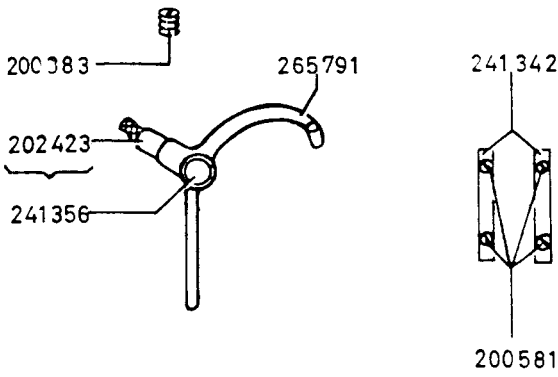
PART NO.	DESCRIPTION
000691-831	THROAT PLATE SCREW
200106-805	FEED DOG (BACK) SCREW (2)
200141-806	NEEDLE SET SCREW (2)
200161-804	THROAT PLATE CLAMP SCREW
200188-833	FEED DOG (FRONT) SCREW (2)
202923	PRESSER FOOT SHANK
203376	THROAT PLATE POSITION PIN
230795	PRESSER FOOT HINGE PIN
265748	THROAT PLATE, 50 NEEDLES HOLE, FOR NEEDLES SIZES 16 AND 18, 1 INCH GAUGE
265765	FEED DOG (BACK), 1 INCH GAUGE
265774	FEED DOG (FRONT), 1 INCH GAUGE
265789	PRESSER FOOT PLATE, 50 NEEDLE HOLE, 1 INCH GAUGE
265790	PRESSER FOOT (HINGED) CPL. 50 NEEDLE HOLE, 1 INCH GAUGE; NOS. 202923, 230795 AND 265789
267271	NEEDLE HOLDER IN GAUGES FROM 25/32 TO 1 INCH WITH TWO 200141

GAUGE: 1 INCH



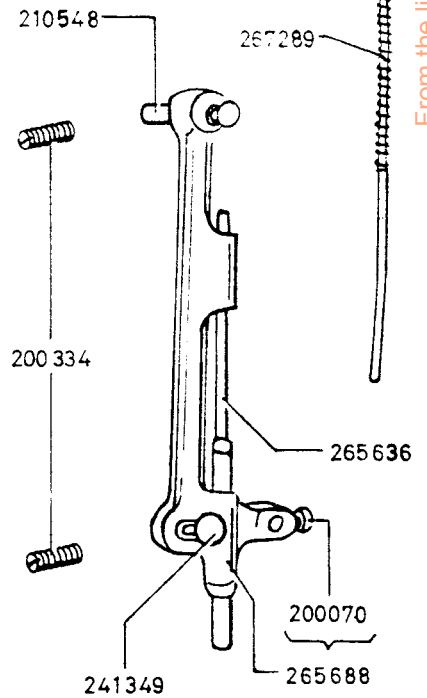
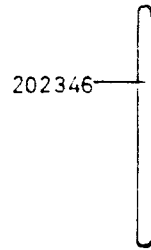
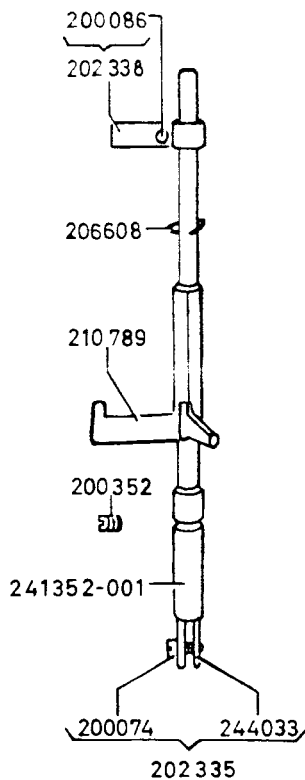
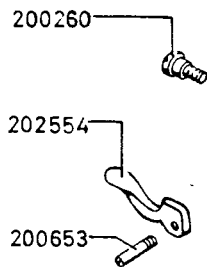
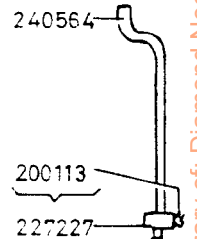
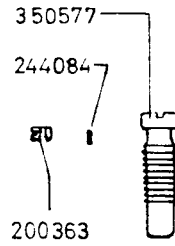
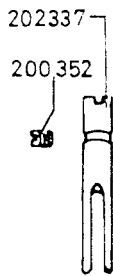
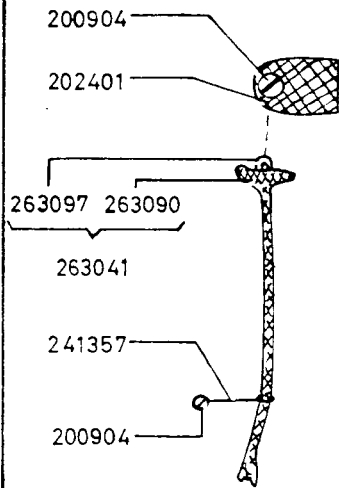
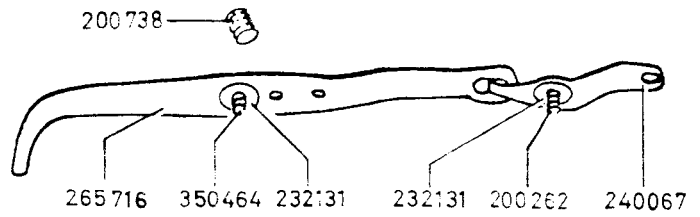
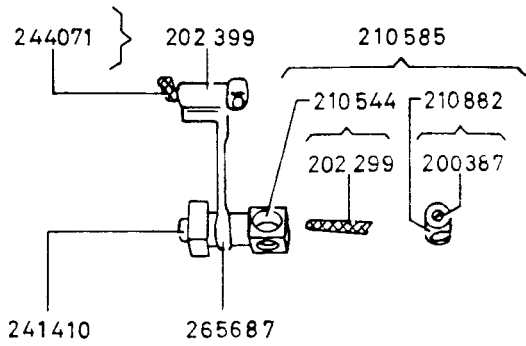
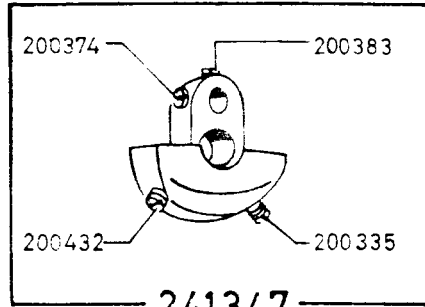
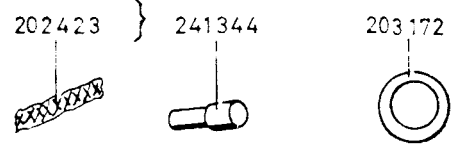
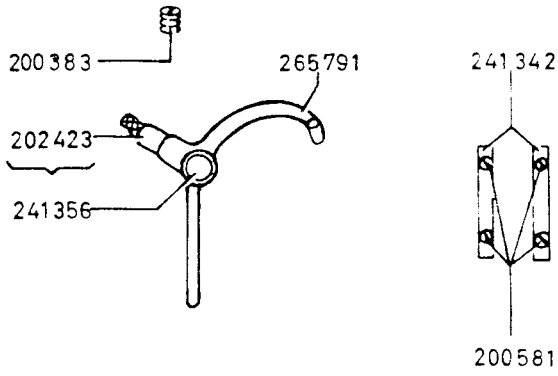
From the library of: Diamond Needle Corp

PART NO.	DESCRIPTION
200070-803	NEEDLE BAR FRAME PITMAN ECCENTRIC STUD SET SCREW
200074-806	PRESSER FOOT SCREW
200086-830	PRESSER BAR POSITION GUIDE LEVER PINCH SCREW
200113-806	KNEE LIFTER CONNECTION LEVER LIFTING ROD STOP COLLAR SET SCREW
200260-805	PRESSER BAR LIFTING RELEASING LEVER BRACKET GUIDE SCREW
200262-819	KNEE LIFTER CONNECTION LEVER PINCH SCREW
200334-830	NEEDLE BAR FRAME GUIDE AND HINGE STUD SET SCREW(2)
200335-803	NEEDLE BAR CRANK SET SCREW
200352-833	PRESSER BAR BUSHING SET SCREW
200352-833	PRESSER BAR POSITION GUIDE SET SCREW
200363-833	PRESSER BAR REGULATING SCREW SET SCREW
200374-830	NEEDLE BAR CONNECTING LINK STUD SET SCREW
200383-803	NEEDLE BAR CONNECTING LINK STUD SET SCREW
200383-803	TAKE-UP LEVER HINGE STUD SET SCREW
200387-830	NEEDLE BAR SET SCREW
200432-803	NEEDLE BAR CRANK POSITION SCREW
200581-819	NEEDLE BAR CONNECTING LINK GUIDE BLOCK GIB SCREW
200653-803	PRESSER BAR LIFTER HINGE SCREW
200738-819	KNEE LIFTER LIFTING LEVER STOP SCREW
200904-805	TAKE-UP LEVER OILING FELT SCREW
200904-805	TAKE-UP LEVER OILING WICK EYELET SCREW
202299	NEEDLE BAR CONNECTING STUD OIL PACKING (WICK)
202335	PRESSER BAR 244033 WITH 200074
202337	PRESSER BAR POSITION GUIDE
202338	PRESSER BAR POSITION GUIDE LEVER WITH 200086
202346	PRESSER BAR SPRING STOP ROD
202399	TAKE-UP LEVER DRIVING STUD WITH 244071
202401	TAKE-UP LEVER OILING FELT
202423	NEEDLE BAR CONNECTING LINK STUD OIL PACKING (WICK)
202423	TAKE-UP LEVER HINGE STUD OIL PACKING (WICK)
202554	PRESSER BAR LIFTER
203172	NEEDLE BAR CRANK FRICTION WASHER
206608	PRESSER BAR LIFTING RELEASING LEVER BRACKET SPRING
210544	NEEDLE BAR CONNECTING STUD WITH 202299
210548	NEEDLE BAR FRAME HINGE STUD
210585	NEEDLE BAR CONNECTING STUD 210554 WITH 210882
210758	PRESSER BAR SPRING
210789	PRESSER BAR LIFTING RELEASING LEVER BRACKET
210882	NEEDLE BAR CONNECTING STUD SWIVEL WITH 200387 FOR 210585
227227	KNEE LIFTER CONNECTION LEVER LIFTING ROD STOP COLLAR WITH 200113
232131	KNEE LIFTER CONNECTION LEVER WASHER
240067	KNEE LIFTER CONNECTION LEVER
240564	KNEE LIFTER CONNECTION LEVER LIFTING ROD
241342	NEEDLE BAR CONNECTING LINK GUIDE BLOCK GIB
241344	NEEDLE BAR CONNECTING LINK STUD WITH 202423

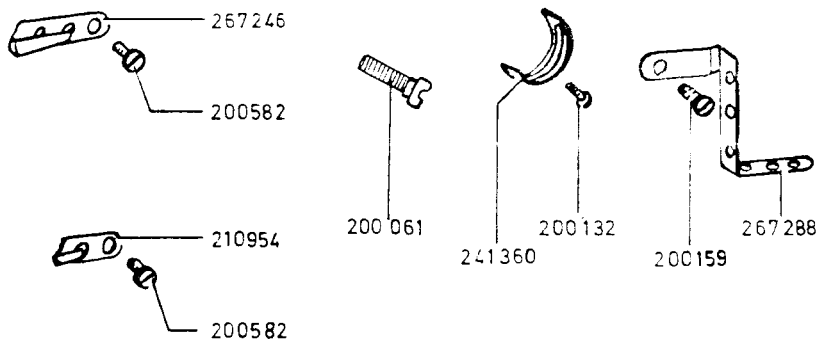
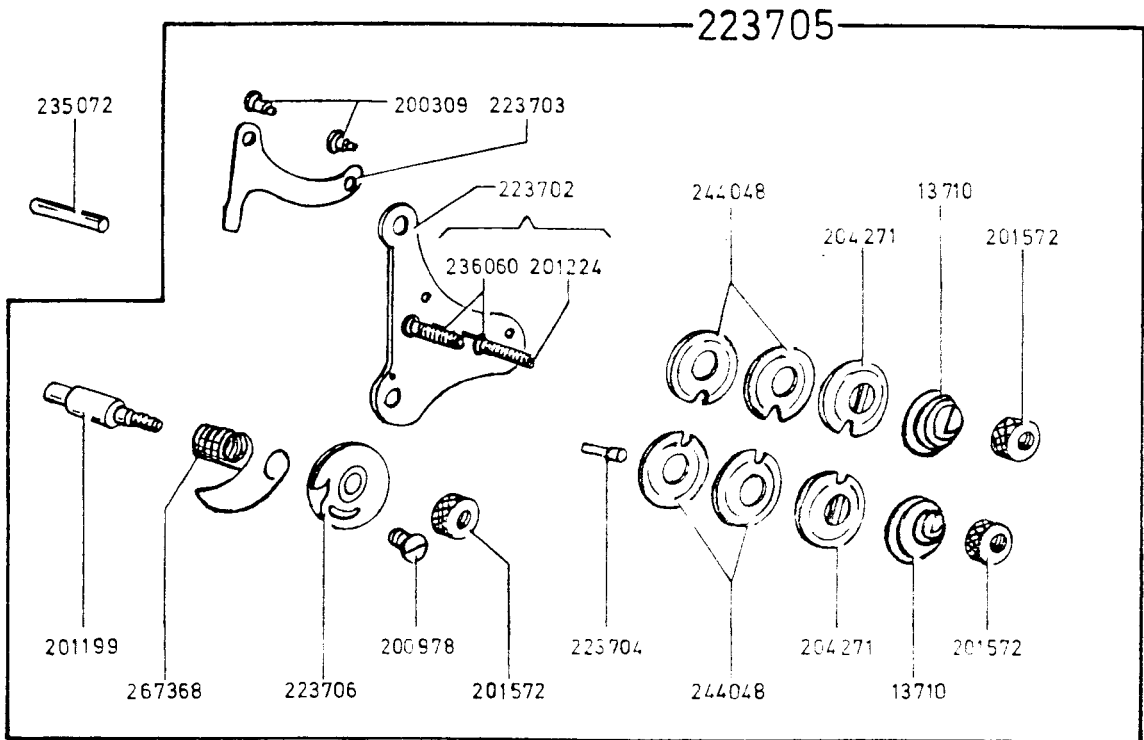


241347	NEEDLE BAR CRANK WITH 200335, 200374, 200383 AND 200432
241349	NEEDLE BAR FRAME GUIDE STUD
241352-001	PRESSER BAR BUSHING
241356	TAKE-UP LEVER HINGE STUD WITH 202423
241357	TAKE-UP LEVER OILING WICK EYELET
241410	NEEDLE BAR CONNECTING LINK GUIDE BLOCK
244033	PRESSER BAR (HOLLOW)
244071	TAKE-UP LEVER DRIVING STUD OIL PACKING (WICK)
244084	PRESSER BAR REGULATING SET SCREW PACKING (FIBRE)
263041	TAKE-UP LEVER OILING WICK 263090 WITH 263097
263090	TAKE-UP LEVER OILING WICK
+263097	TAKE-UP LEVER OILING WICK WIRE
265636	NEEDLE BAR
265687	NEEDLE BAR CONNECTING LINK
265688	NEEDLE BAR FRAME WITH 200070
265716	KNEE LIFTER LIFTING LEVER
265791	TAKE-UP LEVER
267289	KNEE LIFTER LIFTING LEVER SPRING
350464-819	KNEE LIFTER LIFTING LEVER HINGE SCREW
350577-819	PRESSER BAR PRESSURE REGULATING SCREW

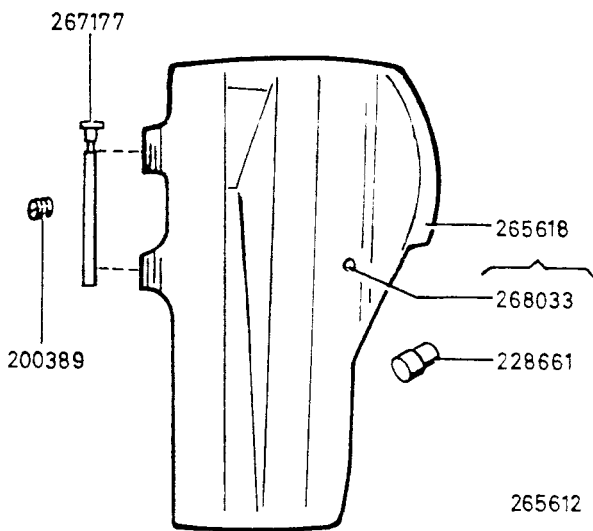
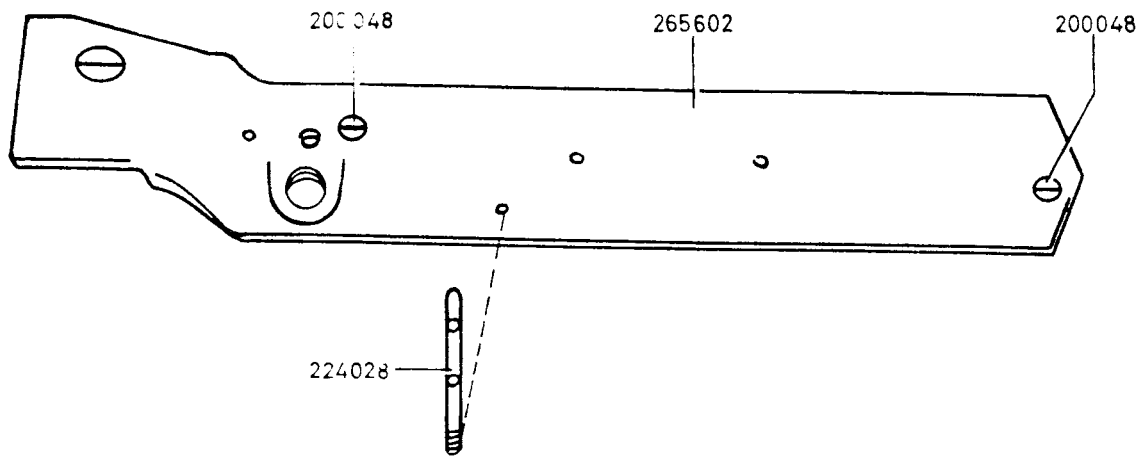
PARTS MARKED WITH AN ASTERISK (+) ARE FURNISHED ONLY WHEN REPAIRS ARE MADE AT THE FACTORY.



PART NO.	DESCRIPTION
013710	TENSION SPRING (2)
200061-833	THREAD CONTROLLER STUD SET SCREW
200132-805	THREAD CONTROLLER SPRING STOP SCREW
200159-806	TENSION BRACKET SCREW
200309-805	TENSION RELEASE LEVER SCREW (2)
200582-819	THREAD GUIDE SCREW (2)
200978-819	THREAD CONTROLLER DISC SCREW
201199	THREAD CONTROLLER STUD CPL.
201224-850	TENSION STUD (2)
201572	TENSION THUMB NUT (2)
201572	THREAD CONTROLLER STUD THUMB NUT
204271	TENSION RELEASE WASHER (2)
210954	THREAD GUIDE (LOWER)
223702	TENSION BRACKET WITH TWO 201224 AND TWO 236060
223703	TENSION RELEASE LEVER
223704	TENSION RELEASE PLUNGER (2)
223705	TENSION BRACKET CPL. , NOS. 200978, 201199, 223702, 223703, 223706, 267368, TWO EACH 13710, 200309, 204271, 223704, THREE 201572 AND FOUR 244048
223706	THREAD CONTROLLER DISC
235072	TENSION RELEASE LEVER ROD
236060	TENSION DISC POSITION PIN
241360	THREAD CONTROLLER SPRING STOP
244048	TENSION DISC (4)
267246	THREAD GUIDE (UPPER)
267288	THREAD RETAINER
267368	THREAD CONTROLLER SPRING

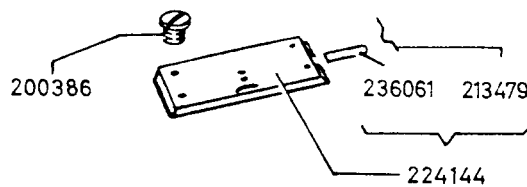
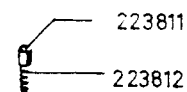
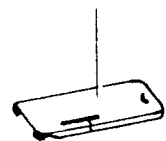
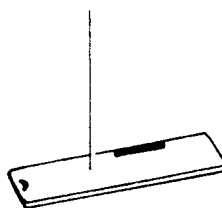
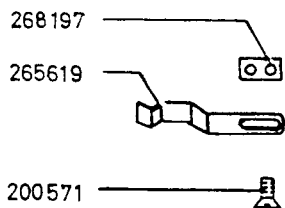


PART NO.	DESCRIPTION
200048-806	ARM COVER SCREW (2)
200386-830	ATTACHMENT SLIDE PLATE (FRONT) LOCK SCREW
200389-803	FACE PLATE HINGE PIN SET SCREW
200571-850	FACE PLATE LOCK SPRING SCREW
213479	ATTACHMENT SLIDE PLATE FRICTION SLIDE SPRING
223811	BED SLIDE (BACK) STOP
223812	BED SLIDE (BACK) STOP SPRING
224028	THREAD GUIDE (TOP OF ARM)
224144	ATTACHMENT SLIDE PLATE WITH 213479 AND 236061
228661	MACHINE BASE SIDE COVER CUSHION (NEOPRENE)
236061	ATTACHMENT SLIDE PLATE FRICTION SLIDE
265602	ARM COVER
265611	BED SLIDE (BACK) FOR USE WITH THROAT PLATES IN GAUGES FROM 1/4 TO 15/32 INCH
265612	BED SLIDE (FRONT) FOR USE WITH THROAT PLATES IN GAUGES FROM 1/4 TO 15/32 INCH
265613	BED SLIDE (FRONT) FOR USE WITH THROAT PLATES IN GAUGES FROM 1/2 TO 1 INCH
265618	FACE PLATE WITH 268033
265619	FACE PLATE LOCK SPRING
265752	BED SLIDE (BACK) FOR USE WITH THROAT PLATE IN GAUGES FROM 1/2 TO 1 INCH
267177	FACE PLATE HINGE PIN
268033	FACE PLATE LOCK STUD
268197	FACE PLATE LOCK SPRING PLATE

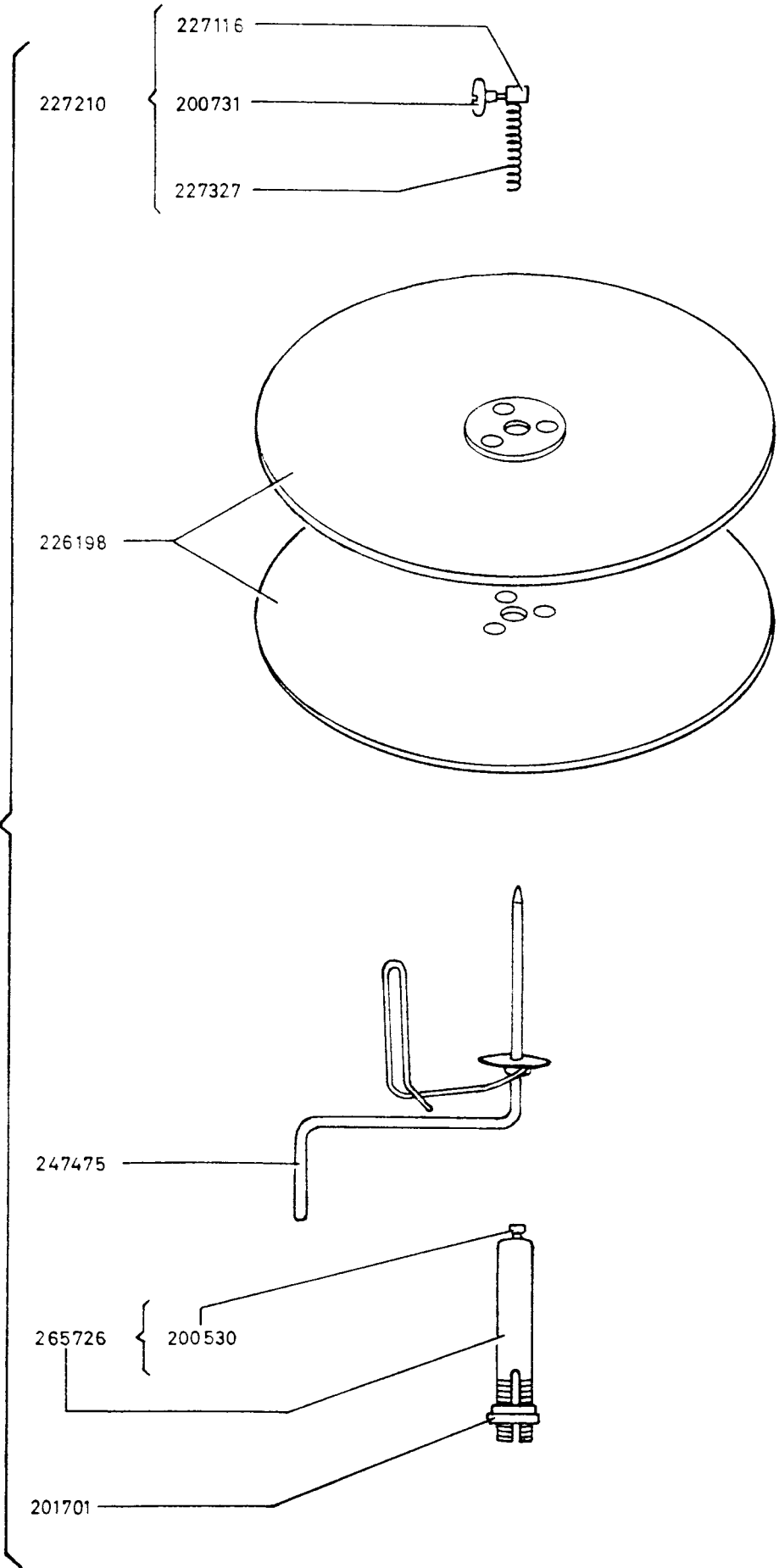


265612 (1/4 to 15/32 inch)
265613 (1/2 to 1 inch)

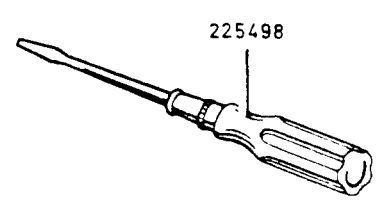
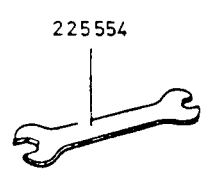
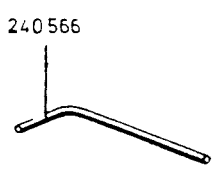
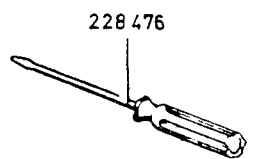
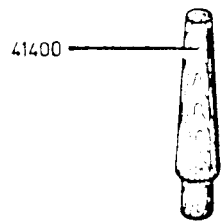
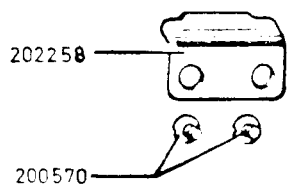
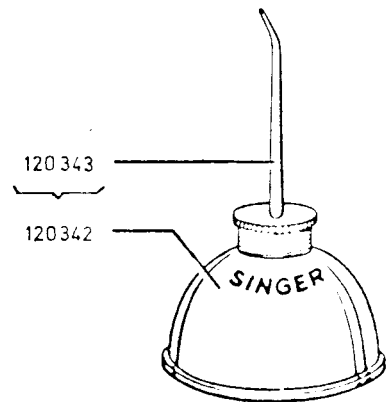
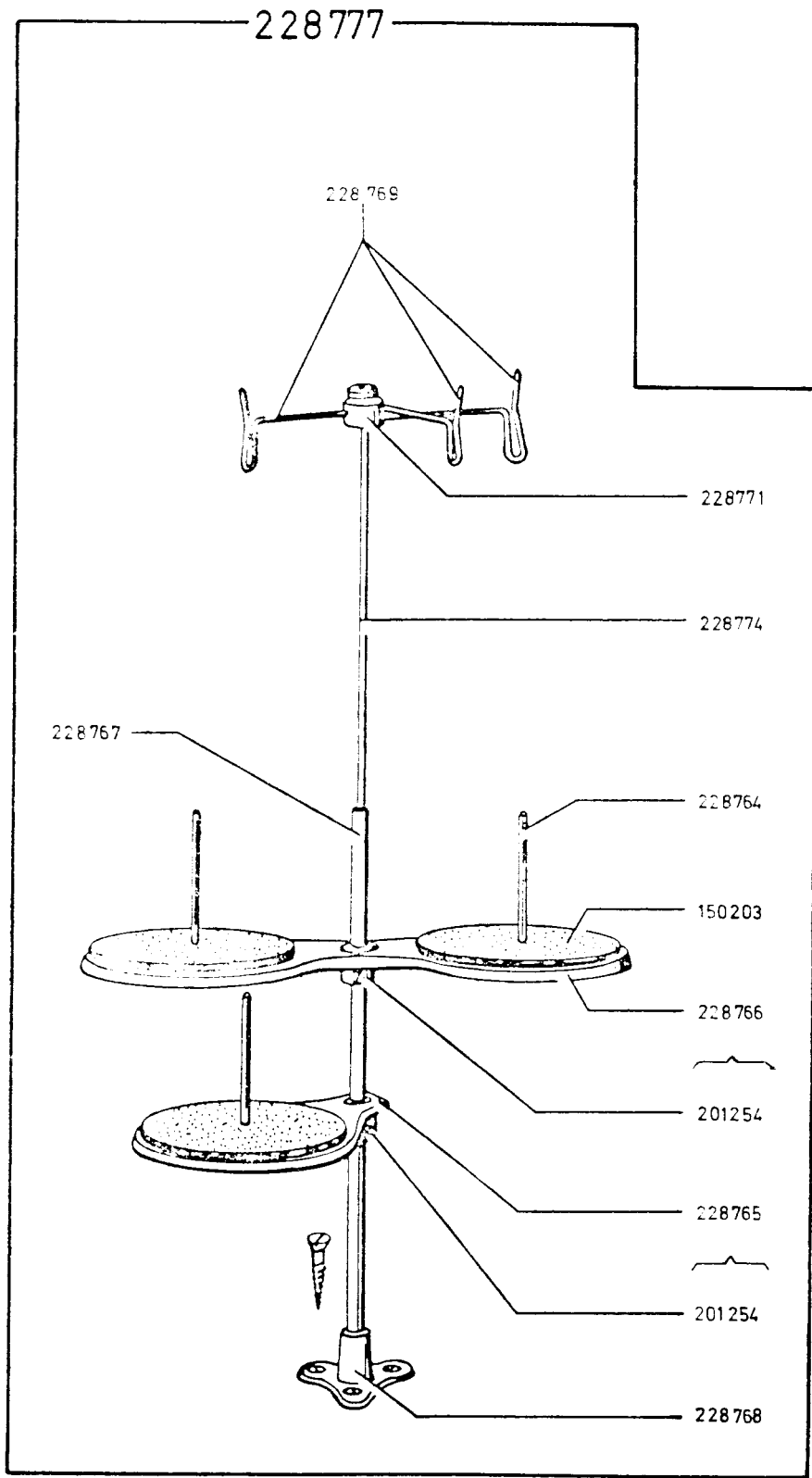
265611 (1/4 to 15/32 inch)
265752 (1/2 to 1 inch)



PART NO.	DESCRIPTION
200530-803	TAPE HOLDER ROD SET SCREW
200731-805	STRIP REEL DISC ROD COLLAR WING SCREW
201701	TAPE HOLDER STANDARD CHECK NUT
226198	STRIP REEL (2)
227116	STRIP REEL DISC ROD COLLAR
227210	STRIP REEL DISC ROD COLLAR 227116 WITH 200731 AND 227327
227327	STRIP REEL DISC ROD TENSION SPRING (SPIRAL)
247475	STRIP REEL DISC ROD WITH STRIP GUIDE
265726	STRIP REEL STANDARD WITH 200530
265727	STRIP REEL CPL. NOS. 201701, 227210, 247475, 265726 AND TWO 226198



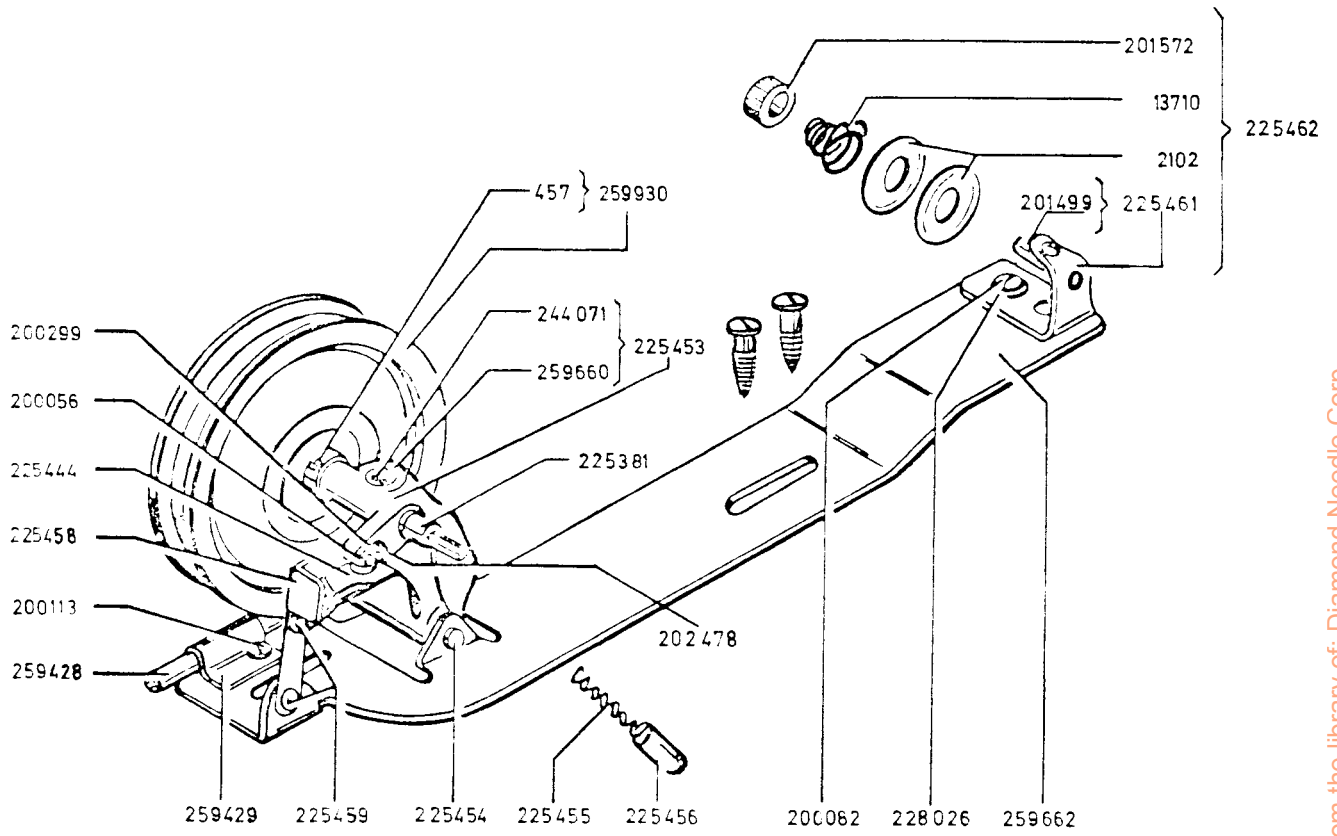
PART NO.	DESCRIPTION
1901-14-2	NEEDLE (12)
041400	MACHINE REST PIN
120342	OILER (COPPER PLATED) WITH 120343
120343	OILER SPOUT 3-1/2 INCH LONG
150203	THREAD UNWINDER SPOOL REST CUSHION (FELT) (3)
200570-805	BED HINGE CONNECTION SCREW (4)
201254-803	THREAD UNWINDER SPOOL REST SET SCREW (2)
202258	BED HINGE CONNECTION (2)
225498	SCREW DRIVER
225554	WRENCH
228476	SCREW DRIVER (BOBBIN CASE)
228764	THREAD UNWINDER SPOOL PIN (3)
228765	THREAD UNWINDER SPOOL REST (FOR ONE SPOOL) (FLAT) WITH 201254
228766	THREAD UNWINDER SPOOL REST (FOR TWO SPOOLS) (FLAT) WITH 201254
228767	THREAD UNWINDER SPOOL REST ROD
228768	THREAD UNWINDER THREAD GUIDE
228771	THREAD UNWINDER THREAD GUIDE HOLDER (FOR THREE GUIDES)
228774	THREAD UNWINDER THREAD GUIDE ROD
228777	THREAD UNWINDER CPL. (FOR THREE SPOOLS) WITH 228765, 228766, 228767, 228768, 228771, 228774, THREE EACH 150203, 228764, 228769 AND WOOD SCREWS NO. 12, 7/8 INCH LONG
240566	WRENCH (1/16 INCH HEX)
-----	THREAD UNWINDER WOOD SCREWS NO. 12, 7/8 INCH (3)



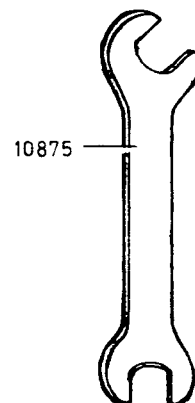
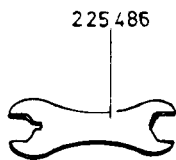
From the library of: Diamond Needle Corp

PART NO.	DESCRIPTION
000457-830	BOBBIN WINDER PULLEY SET SCREW
002102	BOBBIN WINDER TENSION DISC (2)
010875	WRENCH
013710	TENSION SPRING
200056-805	BOBBIN WINDER STOP LATCH SCREW
200082-804	BOBBIN WINDER TENSION BRACKET SCREW
200113-850	BOBBIN WINDER BRAKE CLAMP SCREW
200299-819	BOBBIN WINDER STOP LATCH TRIP LEVER HINGE SCREW
201499-819	BOBBIN WINDER TENSION STUD
201572-819	BOBBIN WINDER TENSION STUD THUMB NUT
202478	BOBBIN WINDER STOP LATCH TRIP LEVER
225381	BOBBIN WINDER SPINDLE
225444	BOBBIN WINDER STOP LATCH
225453	BOBBIN WINDER FRAME WITH 244071 AND 259660
225454	BOBBIN WINDER FRAME HINGE PIN
225455	BOBBIN WINDER FRAME SPRING
225456	BOBBIN WINDER FRAME SPRING PLUNGER
225458	BOBBIN WINDER STOP LATCH THUMB LEVER
225459	BOBBIN WINDER STOP LATCH THUMB LEVER HINGE AND JOINT STUD (2)
225461	BOBBIN WINDER TENSION BRACKET WITH 201499
225462	BOBBIN WINDER TENSION BRACKET CPL. NOS. 13710, 201572, 225461 AND TWO 2102
225486	WRENCH
228026	BOBBIN WINDER TENSION BRACKET SCREW WASHER
244071	BOBBIN WINDER FRAME OIL PACKING (WICK)
259428	BOBBIN WINDER BRAKE (LEATHER)
259429	BOBBIN WINDER BRAKE CLAMP
259462	UNIVERSAL BOBBIN WINDER CPL. NOS. 200056, 200082, 200113, 200299, 202478, 225381, 225444, 225453, 225454, 225455, 225456, 225458, 225462, 228026, 259428, 259429, 259662, 259930, TWO 225459 AND TWO WOOD SCREW NO. 12, 3/4 INCH LONG R.H.B.
259660	BOBBIN WINDER FRAME OIL WELL WASHER
259662	BOBBIN WINDER AND TENSION BRACKET BASE
259930	BOBBIN WINDER PULLEY WITH 457

259 462



From the library of: Diamond Needle Corp



PART NO.	DESCRIPTION
200113-806	KNEE LIFTER CONNECTION LEVER LIFTING ROD ROLLER BRACKET SET SCREW
200270-819	KNEE LIFTER CONNECTION LEVER LIFTING ROD ROLLER HINGE SCREW
200347-830	KNEE LIFTER ROCK LEVER STOP STUD SET SCREW
200530-803	KNEE LIFTER ROCK LEVER ROD SET SCREW
224411	KNEE LIFTER CONNECTION LEVER LIFTING ROD ROLLER
224412	KNEE LIFTER CONNECTION LEVER LIFTING ROD ROLLER BRACKET WITH 200113
224413	KNEE LIFTER CONNECTION LEVER LIFTING ROD ROLLER BRACKET CPL. NOS. 200270, 224411 AND 224412
228318	KNEE LIFTER ROCK LEVER KNEE PLATE ARM
228363	KNEE LIFTER ROCK LEVER HINGE PIN
228364	KNEE LIFTER ROCK LEVER KNEE PLATE WITH 350231
228365	KNEE LIFTER ROCK LEVER ROD
228386	KNEE LIFTER ROCK LEVER SPRING
228707	KNEE LIFTER ROCK LEVER BRACKET WITH 200347 AND THREE WOOD SCREWS NO. 12, 7/8 INCH LONG
228751	KNEE LIFTER ROCK LEVER BRACKET WITH 228363, 228367, 228386, 228455, 228707 AND 228752
228752	KNEE LIFTER ROCK LEVER WITH TWO 350231
228883	DRIP PAN DRAIN JAR
228887	DRIP PAN
228888	DRIP PAN (PLASTIC) CPL. NOS. 228883, 228887 AND FIVE 350708
228904	KNEE LIFTER ROCK LEVER CPL. NOS. 228318, 228364, 228365, 228751 AND 267374
267374	KNEE LIFTER ROCK LEVER EXTENSION WITH 200530
350231-803	KNEE LIFTER ROCK LEVER KNEE PLATE SET SCREW
350231-803	KNEE LIFTER ROCK LEVER EXTENSION SET SCREW AND KNEE LIFTER ROCK LEVER KNEE PLATE ARM SET SCREW (2)
350708	DRIP PAN (PLASTIC) SCREW NAIL (5)

